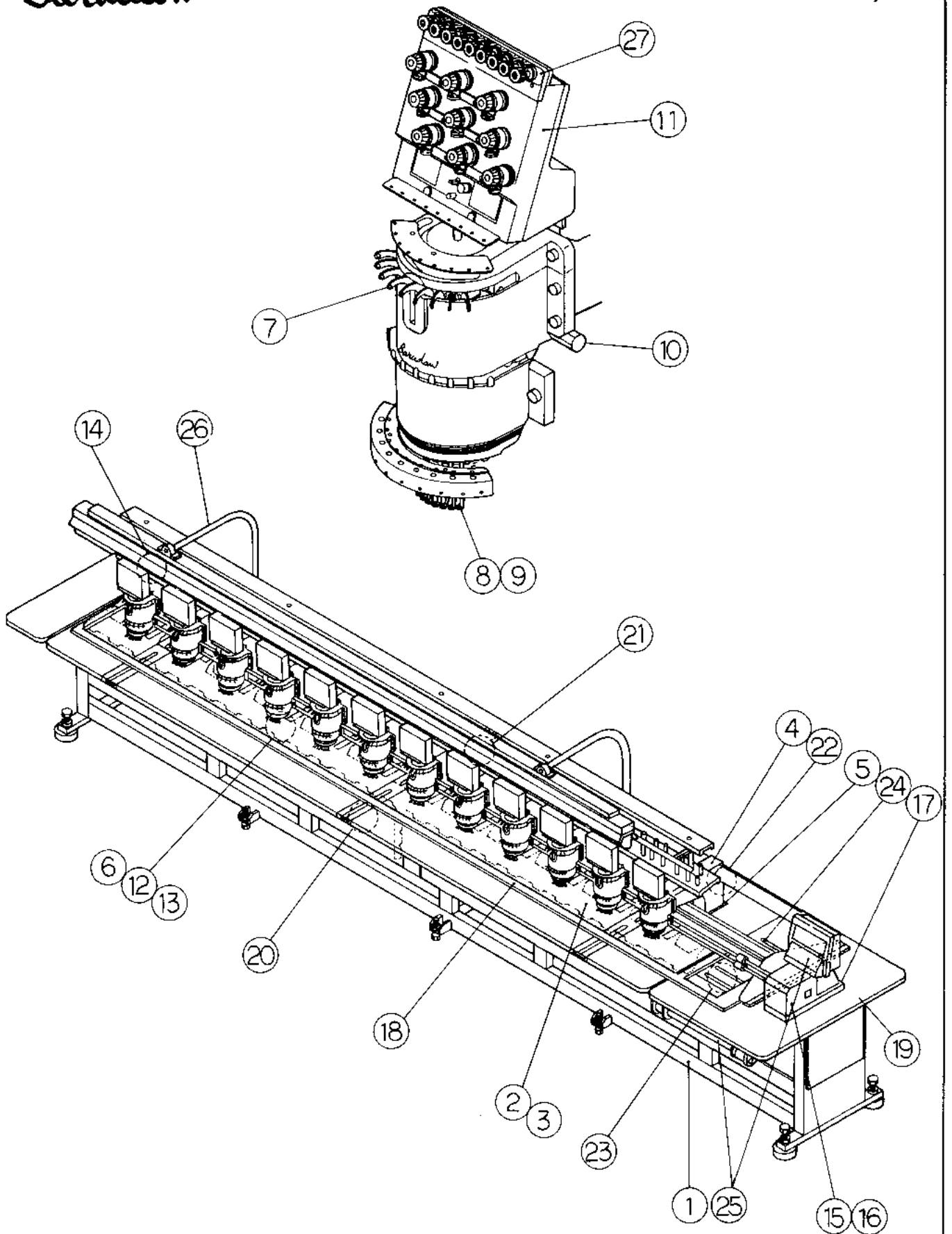


b

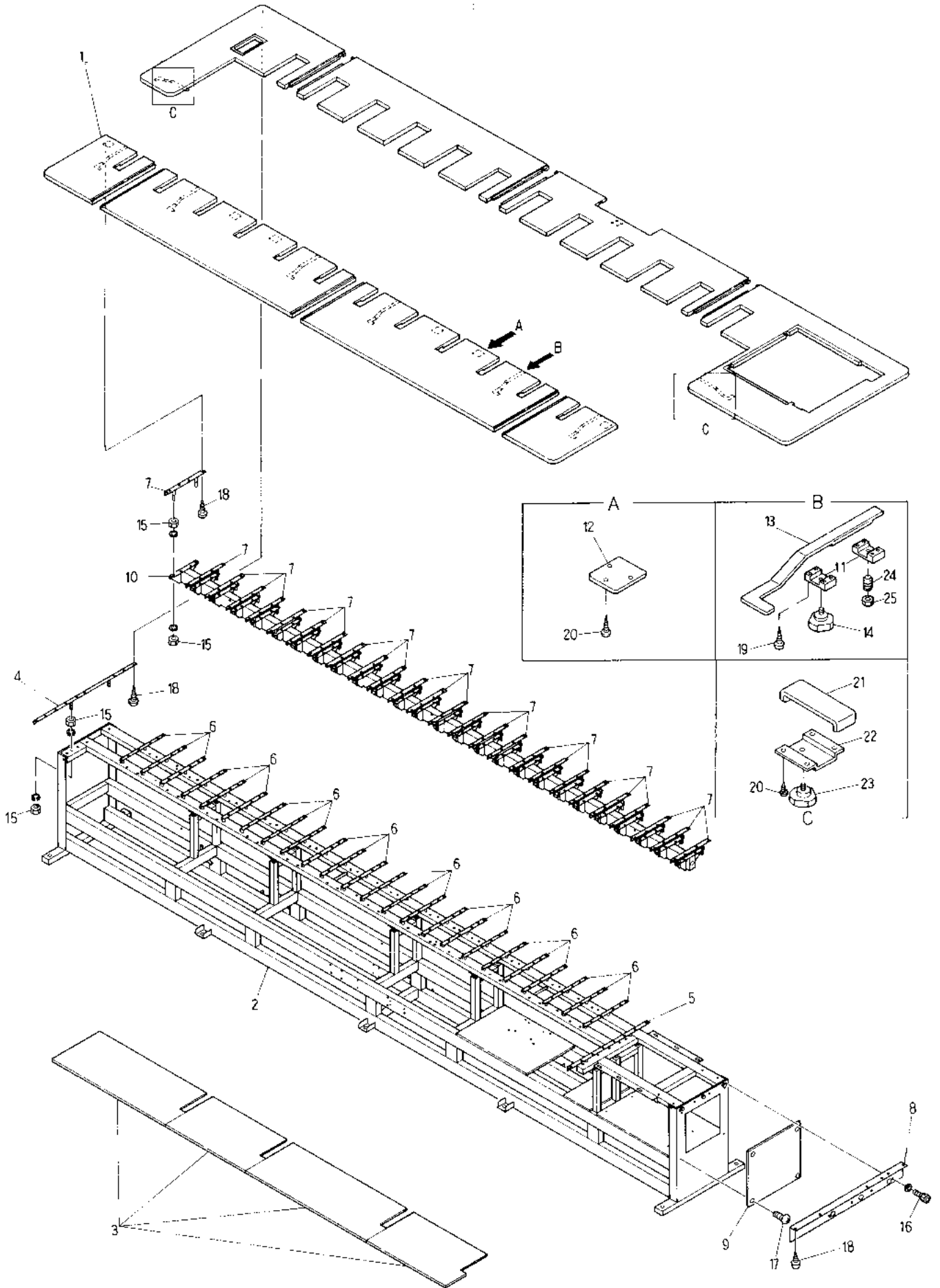
HIGH SPEED AUTOMATIC EMBROIDERY MACHINE

BENSME-YS/YN
BENRME-YS/YN

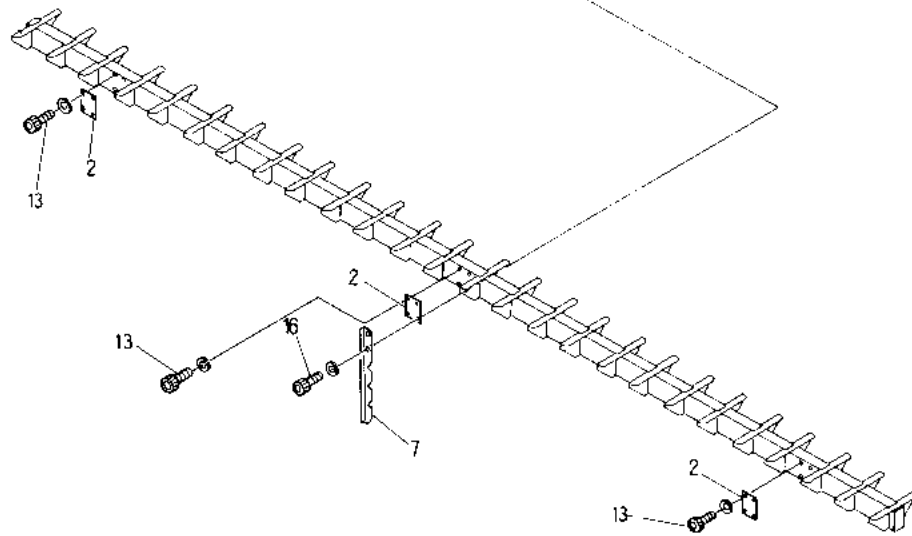
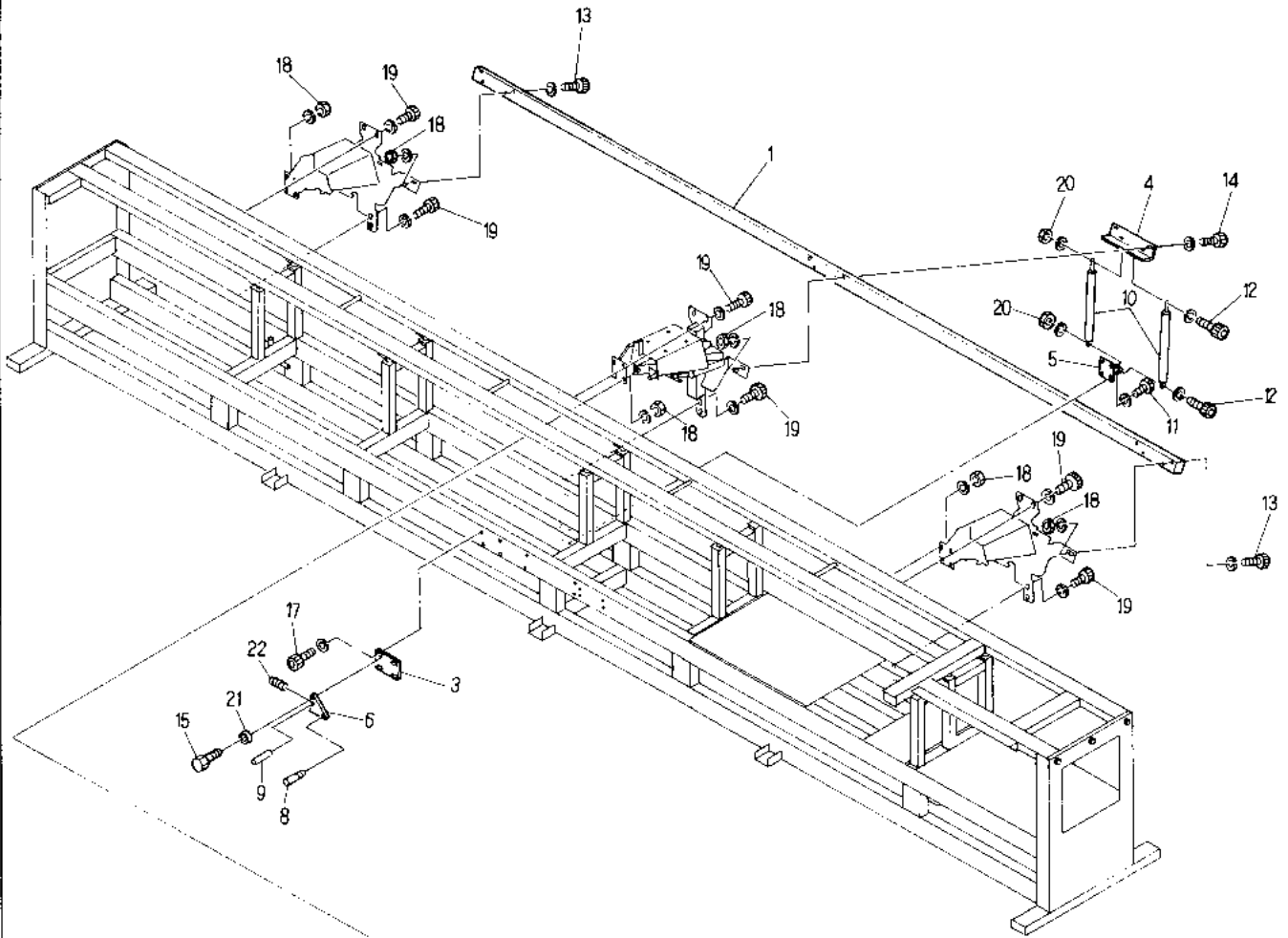
PARTS LIST



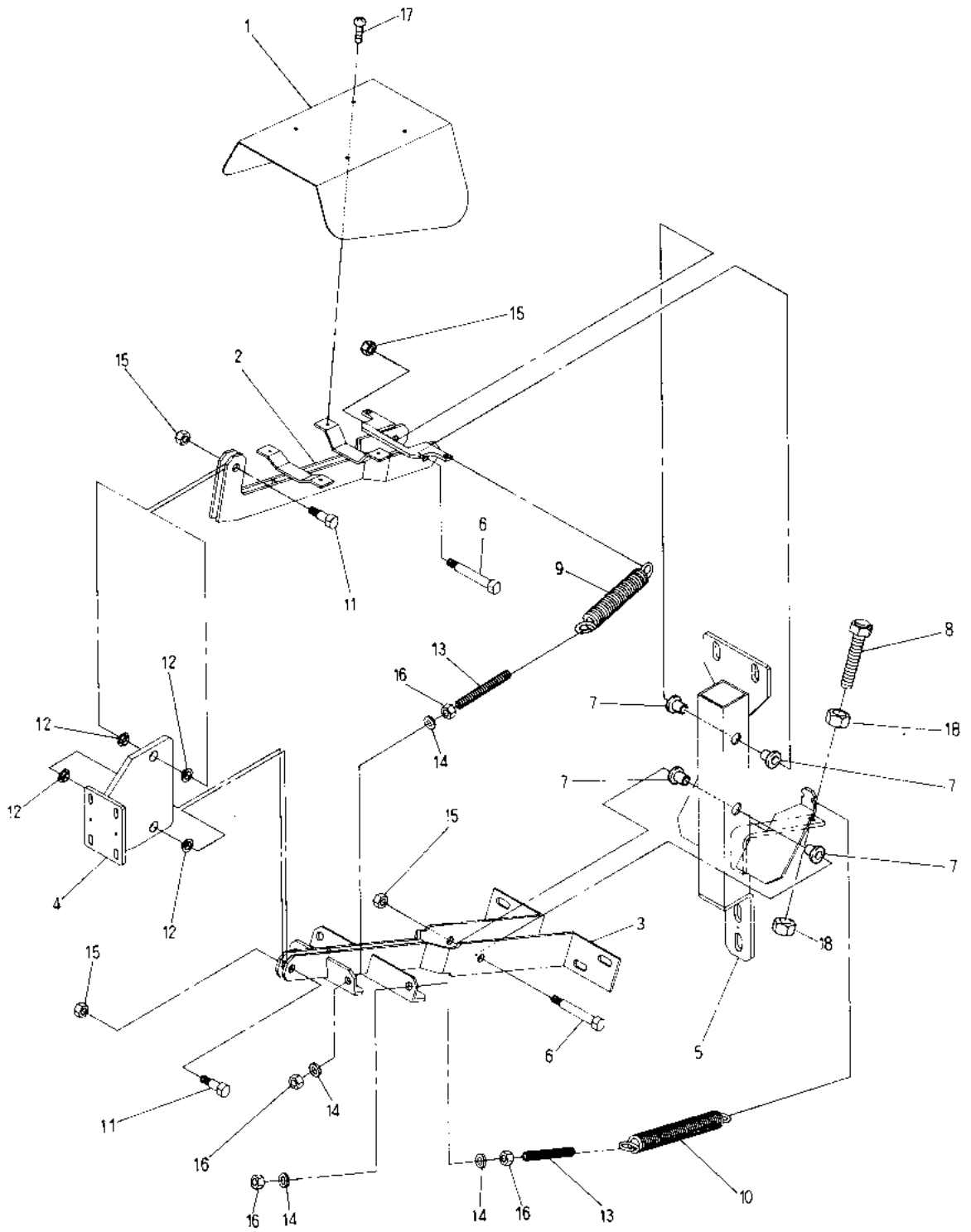
MODEL **BENRME-YN/YS**
BENSME-YN/YS

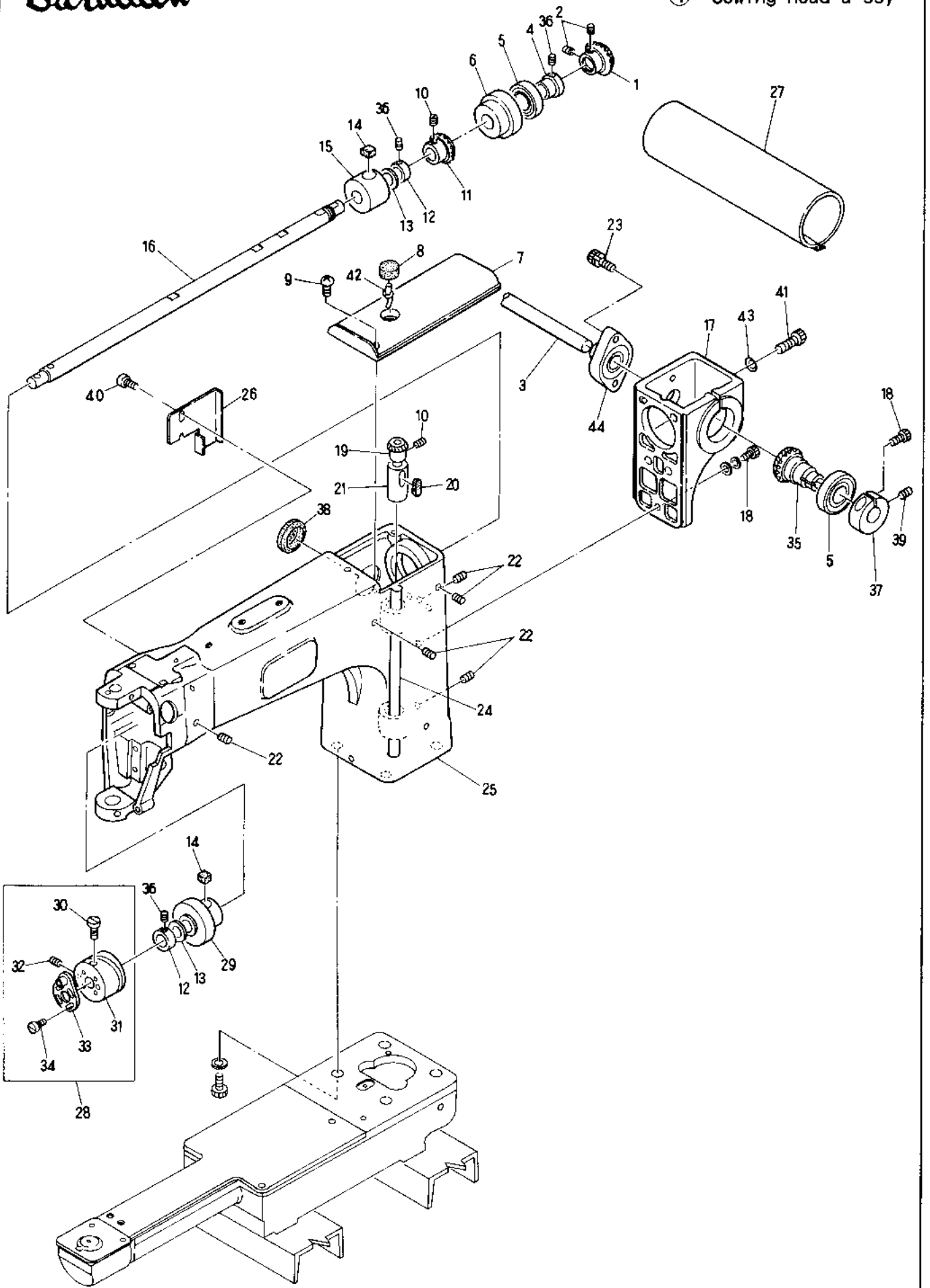


MODEL **BENRME-YN/YS**
BENSME-YN/YS



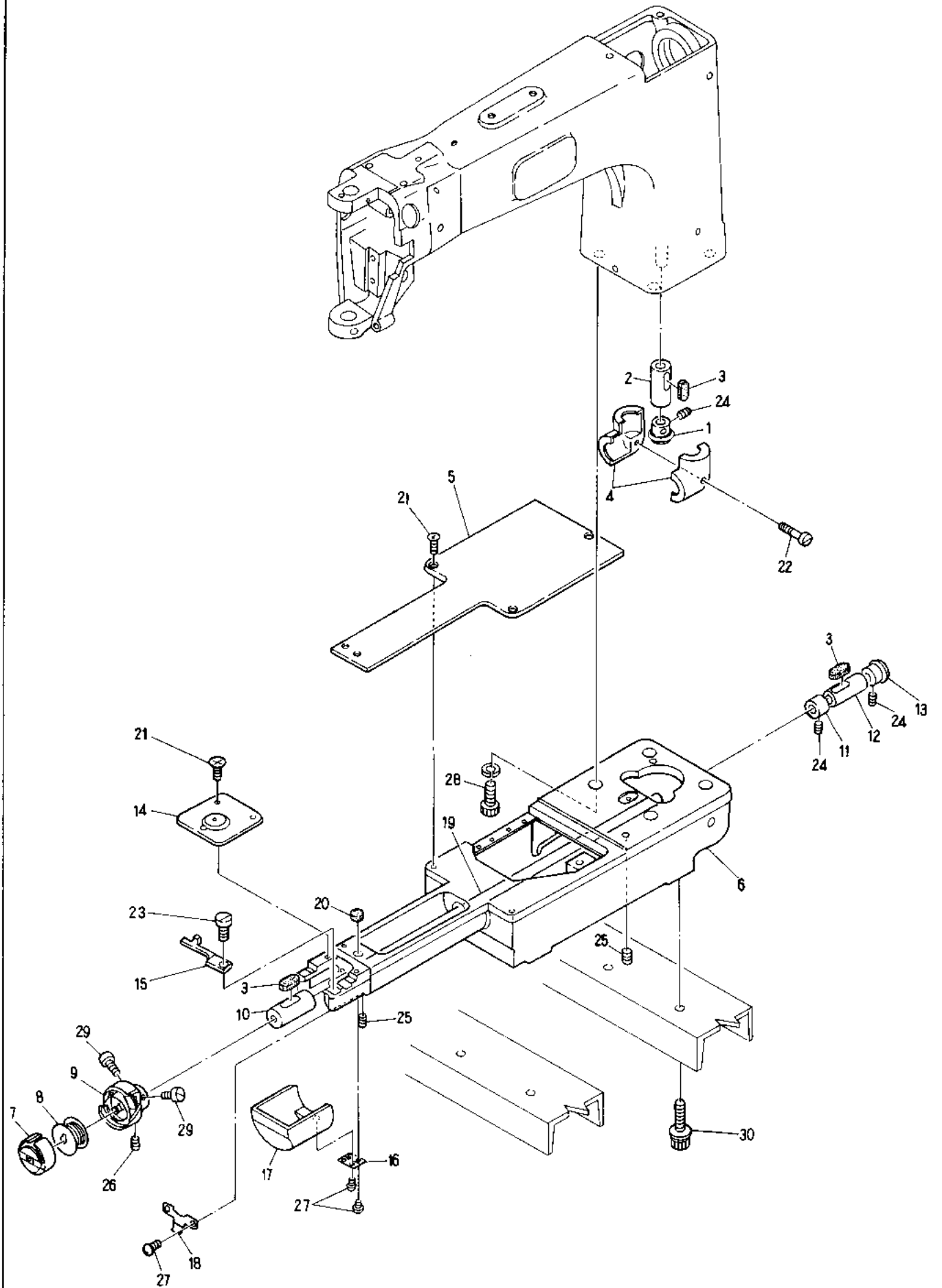
MODEL **BENAME-YN/YS**
BENSME-YN/YS





MODEL BENRME-YN/YS
BENSME-YN/YS

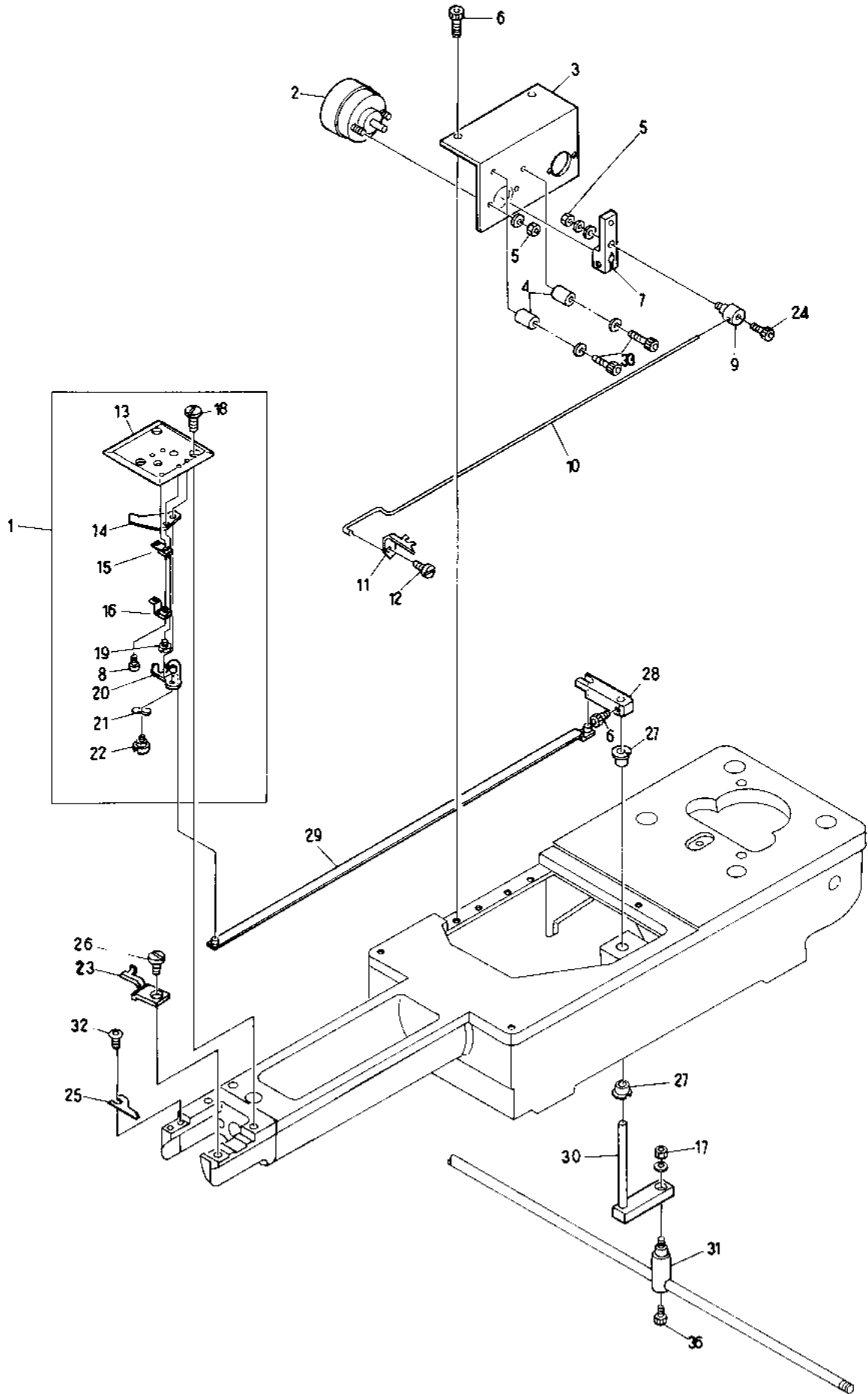
ITEM	LIST No	DESCRIPTION	Q'TY	REMARK
1	KL220100	Upper gear (Ml. 5-25R)	H x 1	
2		Hex. socket set screw M6x6 (With adhesion)	Hx 2	
3		Upper connecting shaft 15		
4	KL220090	Upper gear rear bearing callor	H x 1	
5	A9010017	Bearing (6004ZZ)	H x 2	
6	KL220040	Upper gear rear bearing case	H x 1	
7	KL250040	Arm top cover	H x 1	
8	KL220150	Oil felt D	Hxl	
9		Truss screw M4 x10		
10		Screw (SM1/4 40 x 4)		
11	KF220130	Bevel gear (Upper)	H x 1	
12	KL220080	Upper shaft cal f or	H x 2	
13	HP231390	Thrust washer (Upper gear)	H x 2	
14	KL220130	Oil felt B	Hx2	
15	KL220030	Upper shaft middle metal	H x 1	
16	KL220000	Upper shaft	Hxl	
17	KL210140	Arm gear case	H x 1	
18		Hex. socket bolt M6 x 25		
19	KF220460	Bevel gear (Vertical shaft upper)	H x 1	
20	KL220140	Oil felt C	Hx1	
21	KL220050	Vertical metal (Upper)	H x 1	
22		Hex. socket set screw M6 x8		
23		Hex. socket screw M6 x 8 (With spring washer)		
24	KL220010	Vertical shaft	H x 1	
25	KB210160	Arm	Hx1	
26	KL250051	Arm side cable cover	H x 1	
27	1PKV12380	Shaft cover set (NSME-12)	1 Set	Choice and use
	1PKV15380	Shaft cover set (NSME-15)	1 Set	Choice and use
28	KB230010	Take up levercam K6 90° With crank	H x 1	
29	KL220020	Upper shaft front metal	H x 1	
30	KF230420	Take up lever cam set screw	H x 1	
31	KB230030	Take up lever cam K6	H x 1	
32		Screw (SM15/64 28X 10) (With adhesion)	H x 1	
33	KB230050	90° Crank	Hx1	
34	A9012007	Screw (SM11/64 40 X10) For bobbin	H x 1	
35	KL320000	Connecting gear (Spiral bevel M1. 5-25L)	H x 1	
36		Hex. socket set screw M6x6		
37	KL320020	Connecting gear clamp 019	H x 1	
38	A9014063	Grommet C-30-SG-36A	H x 1	
39		Hex. socket set screw M6 x10		
40		Truss screw M 4 x 8		
41		Hex. socket bolt M 6 x 6 0		
42	KC251330	Oil core L=75	Hx1	
43		Flush spring M 6		
44	HP321140	Top connecting shaft bearing unit	H x 1	



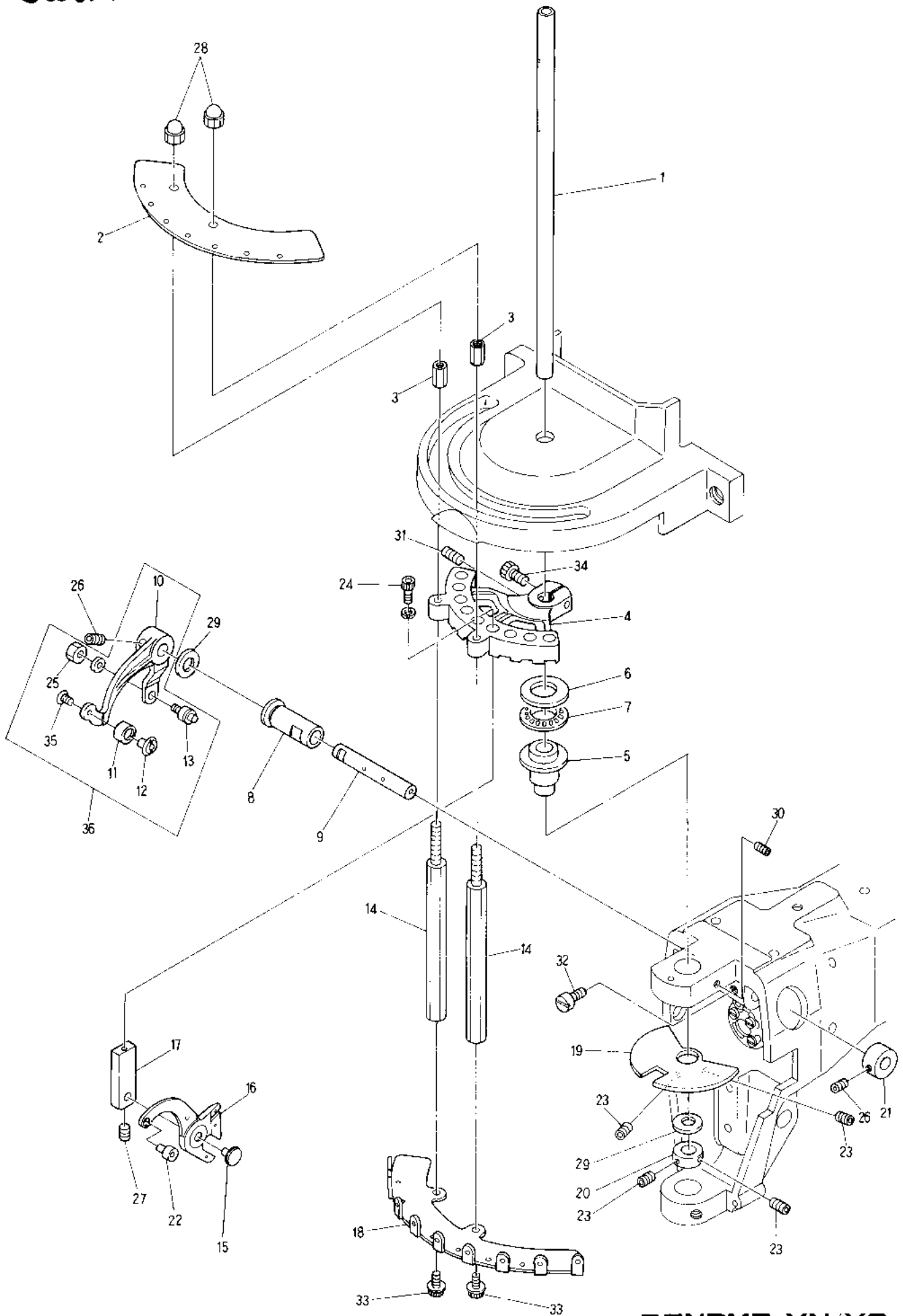
MODEL **BENRME-YN/YS**
BENSME-YN/YS

Barudan

⑥ Automatic thread cutting mechanism I
(Thread cutting section)

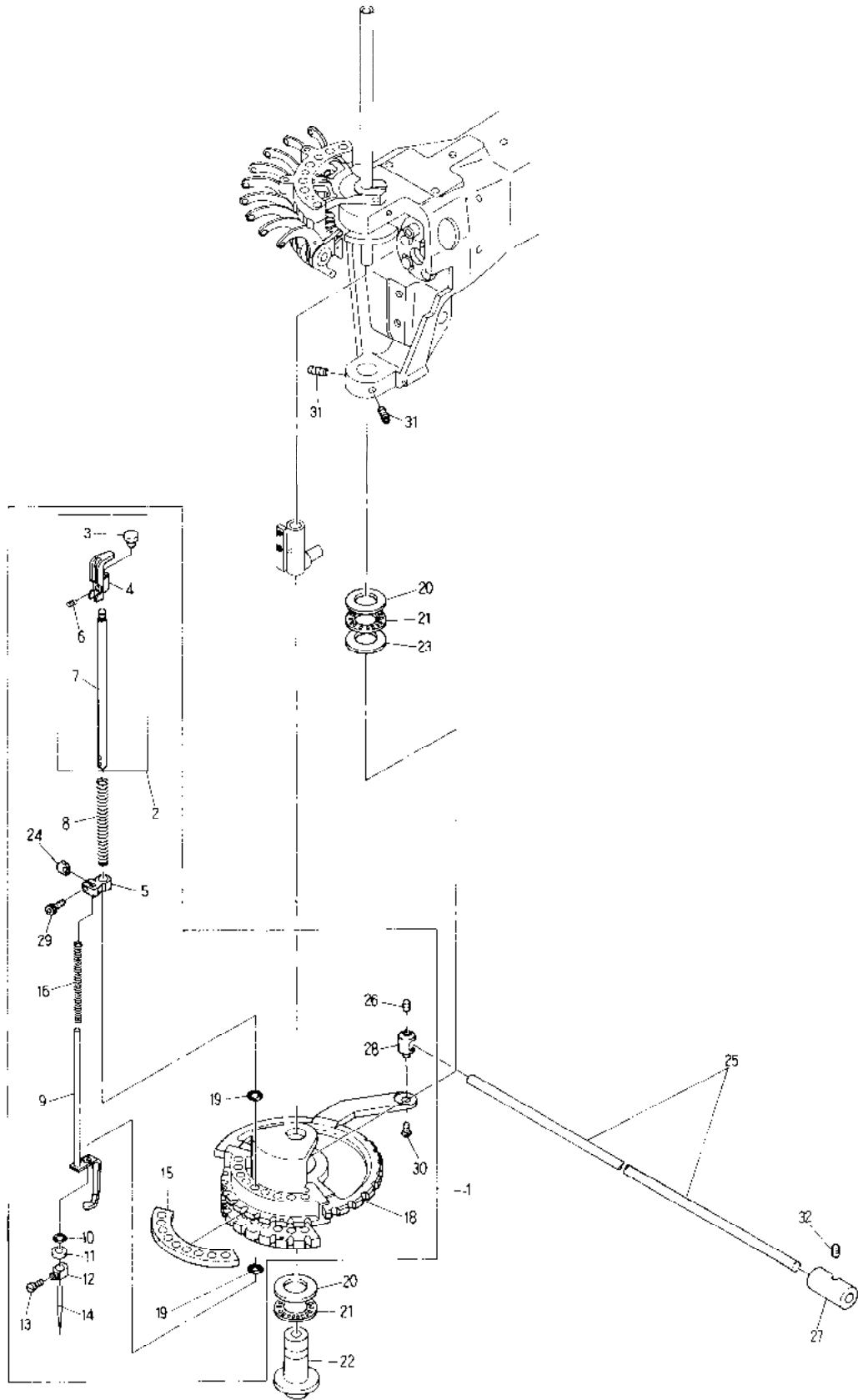


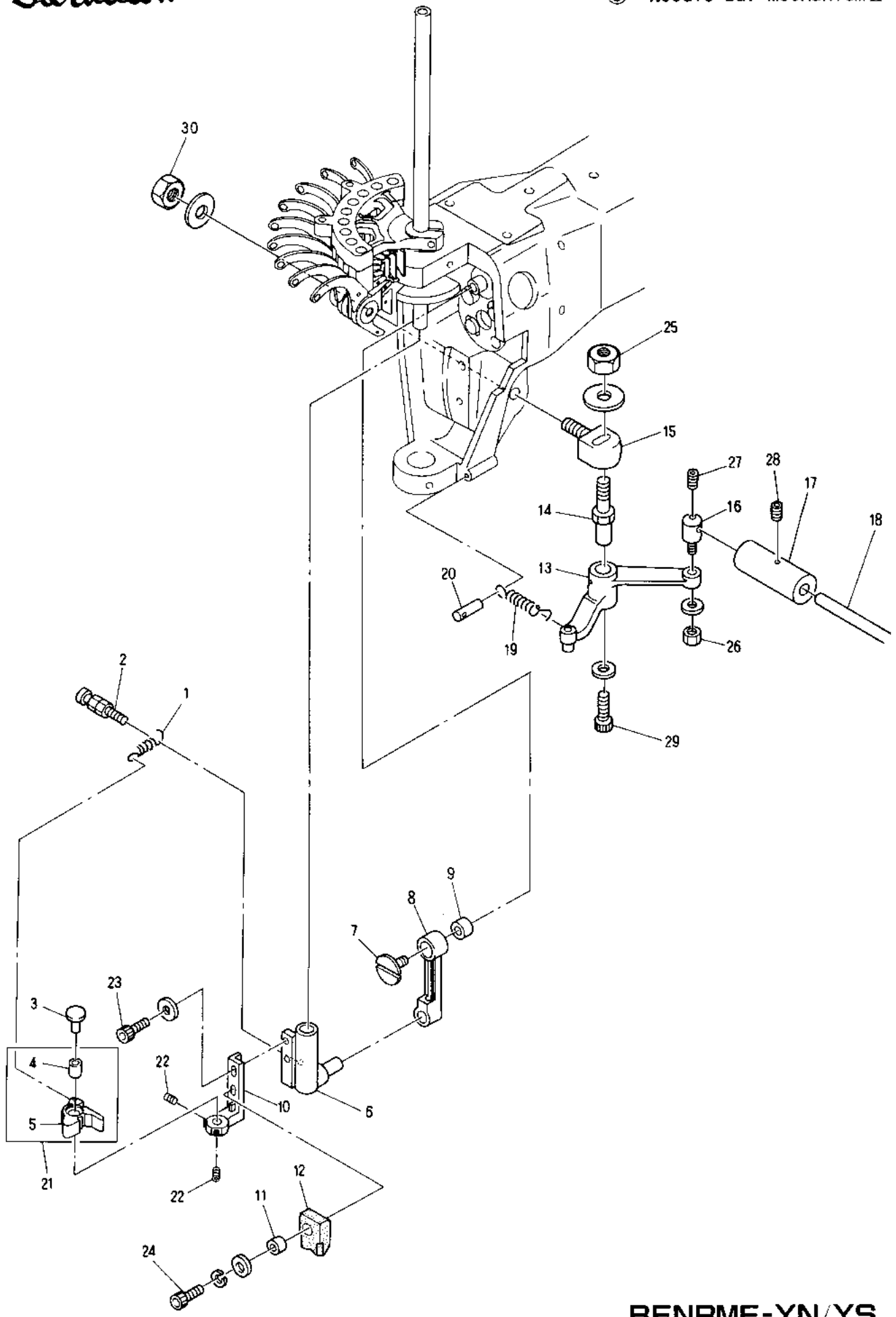
MODEL BENRME-YN/YS
BENSME-YN/YS



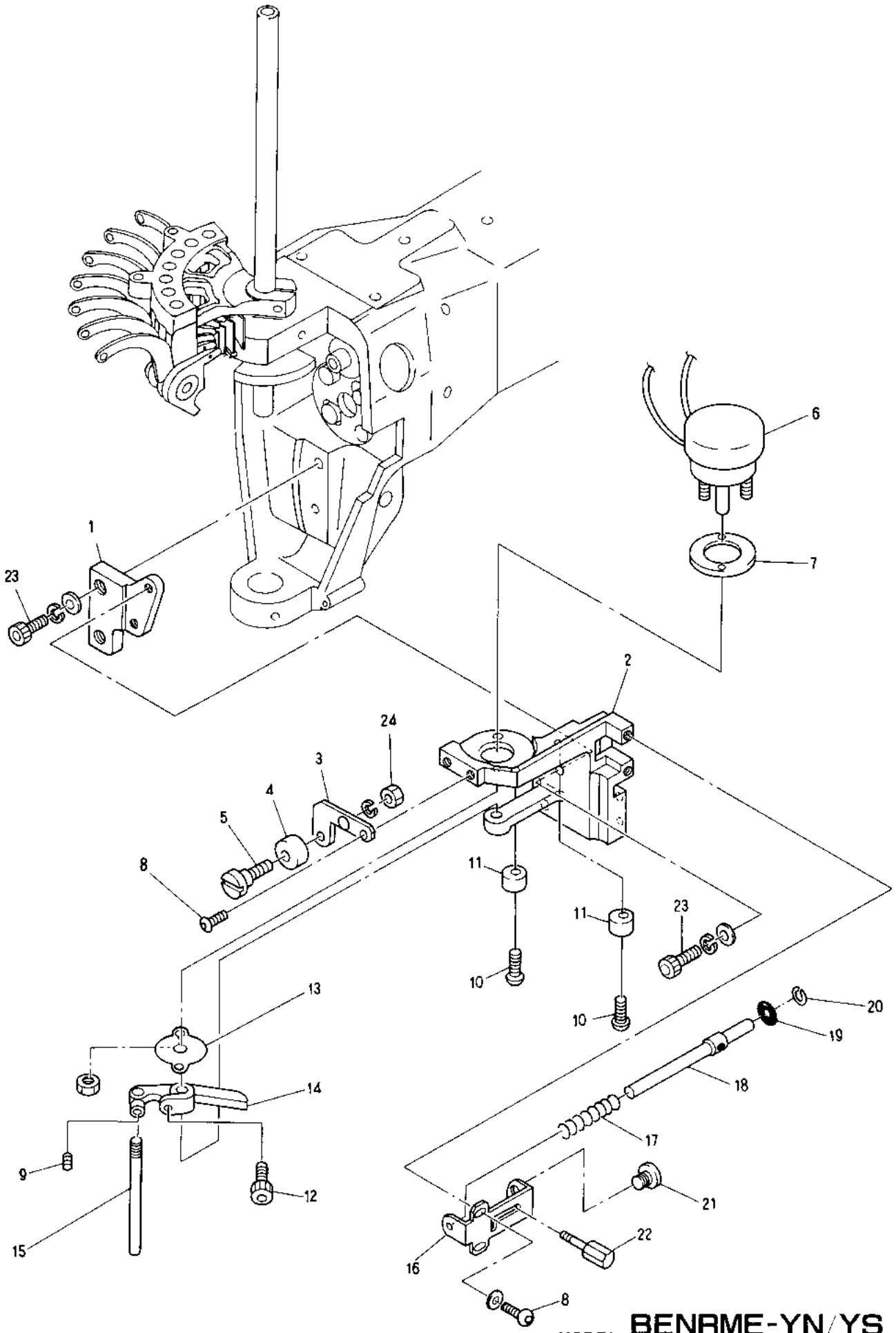
Barudan

⑧ Needle bar mechanism I





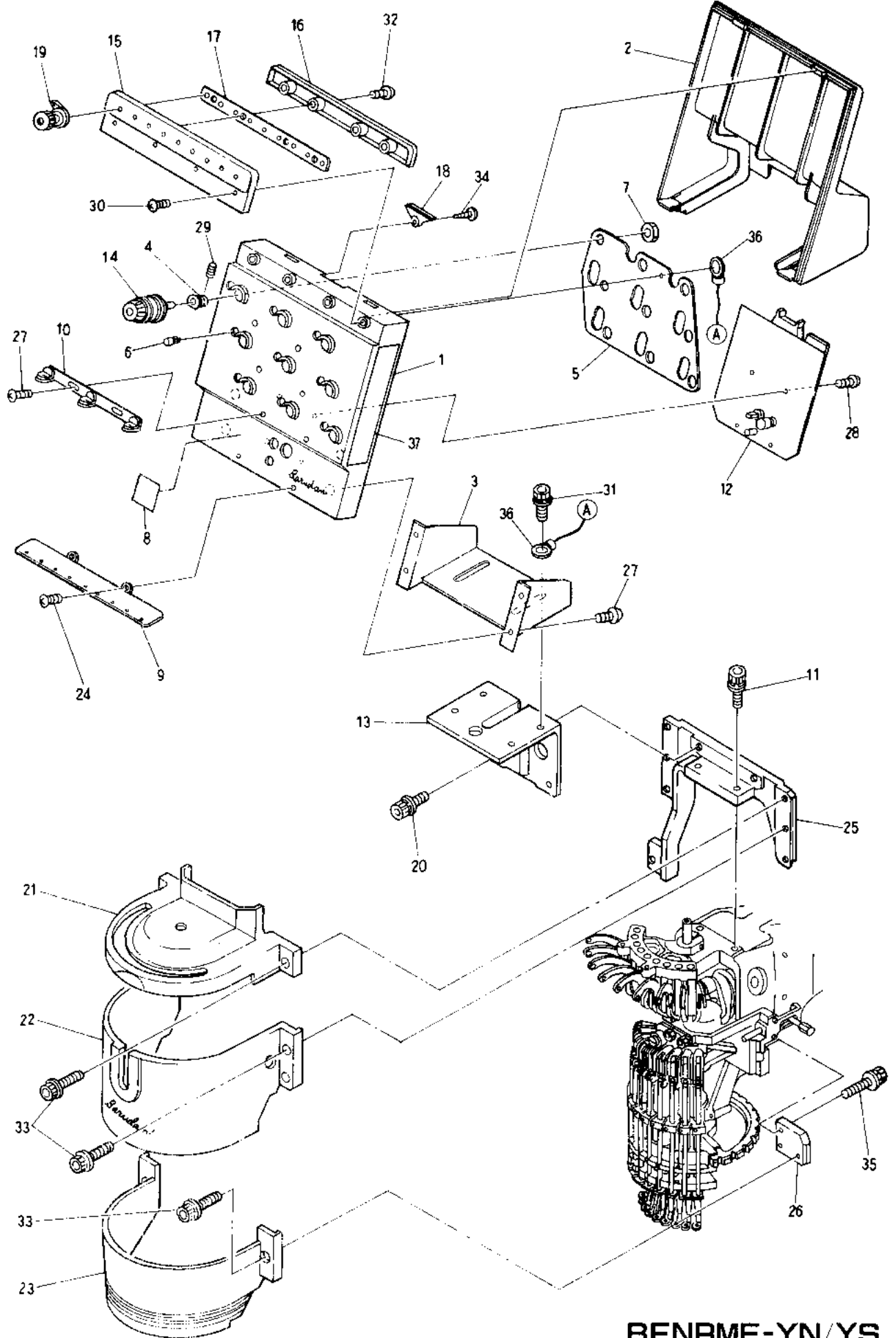
MODEL BENRME-YN/YS
BENSME-YN/YS



MODEL **BENRME-YN/YS**
BENSME-YN/YS

Barudan

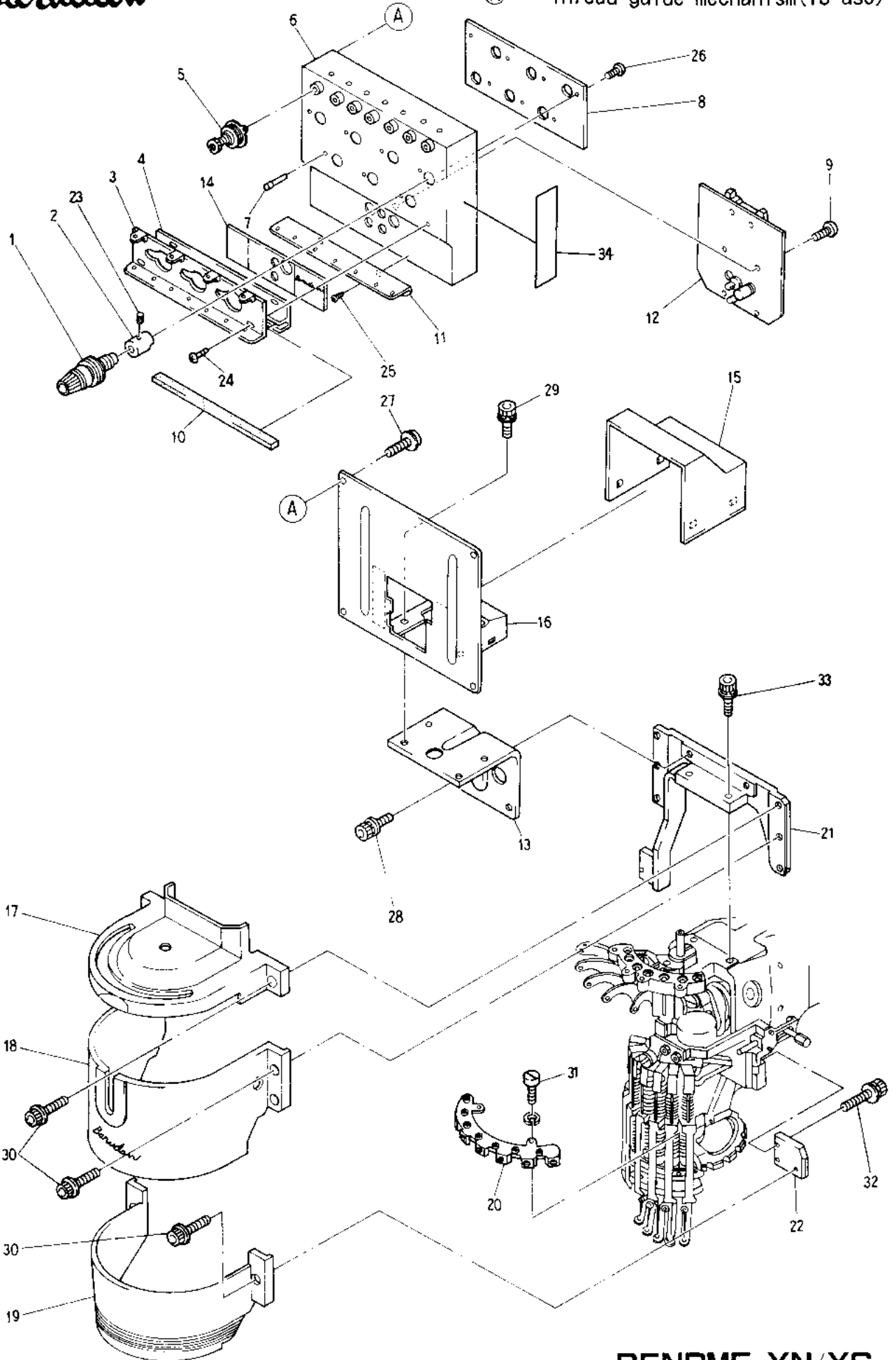
⑪ Thread guide mechanism(YN use)



MODEL BENRME-YN/YS
BENSME-YN/YS

Barudan

⑪ Thread guide mechanism(YS use)

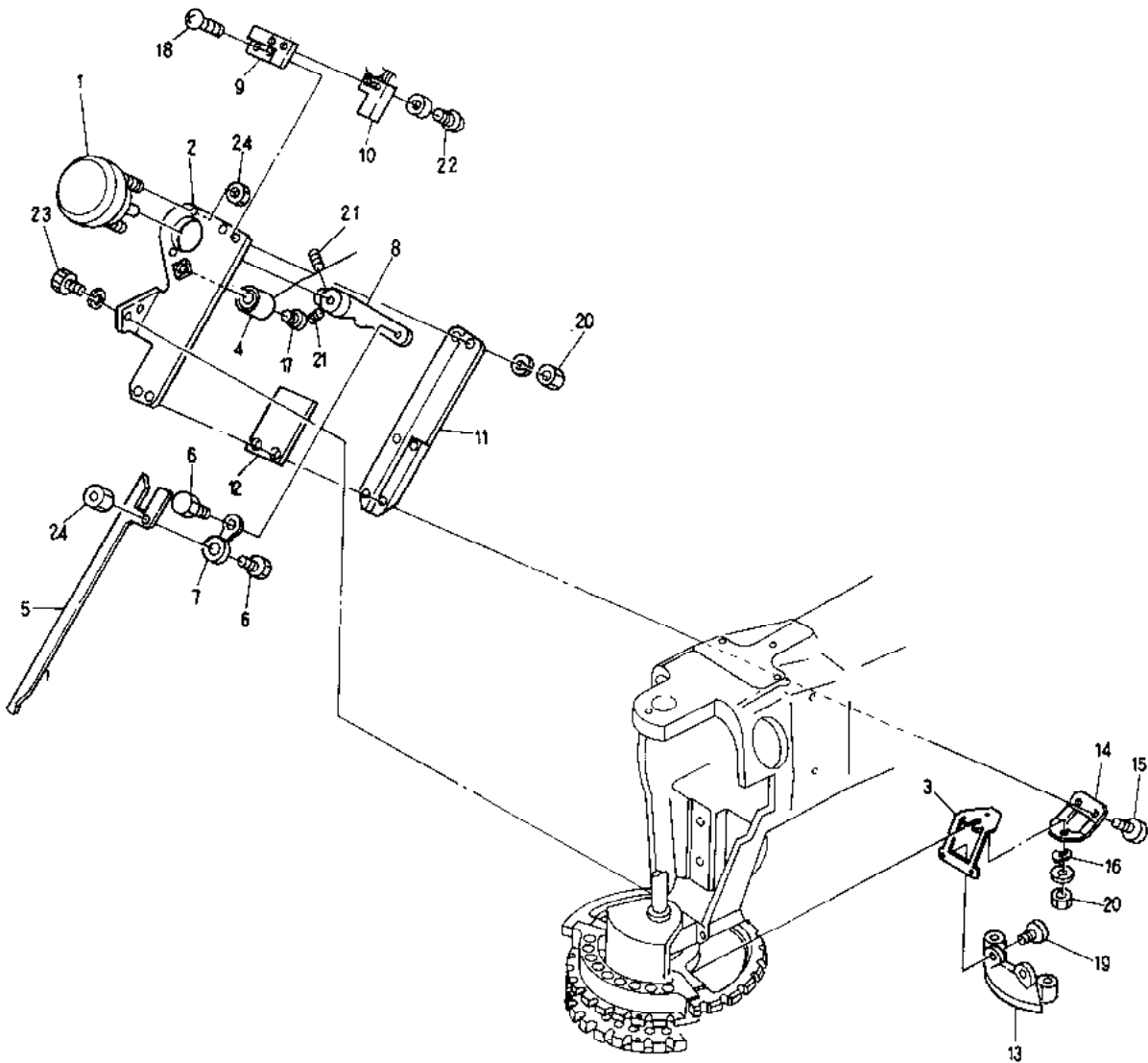


MOEEL **BENRME-YN/YS**
BENSME-YN/YS

ITEM	LIST No	DESCRIPTION	Q'TY	REMARK
1	HT240530	Dial type tension unit complete (YS)		YF...HX5, YS ...HX7
2	HP241150	Tension base (With screw)		YF...H X 5, YS ...H X 7
3	HP241180	First thread guide (7)	H X 1	YS
	HT241170	First thread guide (5)	H X 1	YF
4	HP241460	Thread guide felt fixing plate (7)	H X 1	YS
	HP241450	Thread guide felt fixing plate (5)	H X 1	YF
5	HP241440	Upper tension unit complete (D=13.5)		
6	HP241122	Tension base (7)	H X 1	HP241160YS HP241150YS
	HP241112	Tension base (5)	H X 1	HP241160YF HP241150YF
7	HP241160	Upper thread detection pin		YF...HX5, YS ...HX7
8	HP241381	Tension earth plate (7)	H X 1	YS
	HP241371	Tension earth plate (5)	H X 1	YF
9		Tapping screw 2 X 8		
10	HP241480	Thread guide felt (7)	H X 1	YS
	HP241470	Thread guide felt (5)	H X 1	YF
11	HB240260	Second thread guide plate (7)	H X 1	YS
	HB240270	Second thread guide plate (5)	H X 1	YF
12	EBY01070	4613 Head board	H X 1	
13	KB240051	Tension base bracket	H X 1	
14	KU241400	Tension base label	H X 1	
15	KB240100	Tension cable cover	H X 1	
16	KB240060	Tension base (7)	H X 1	YS
	KB240070	Tension base (5)	H X 1	YF
17	KB250020	Sewing head cover A	H X 1	
18	KB250030	Sewing head cover B	H X 1	
19	KB250040	Sewing head cover C	H X 1	
20	KG250010	Thread end trap unit a' ssy (7)	H X 1	YS
	HP250050	Thread end trap unit a' ssy (5)	H X 1	YF
21	KB250050	Sewing head cover fixing bracket	H X 1	
22	KB250060	Sewing head cover fixing stay	H X 1	
23		Set screw (SM11/64 40x5.5)		
24		Truss screw M4 X 6		
25		Tapping screw M3.5X8		
26		Pan screw M3 X4		
27		Pan screw M4 X 8 (With plain washer)		
28		Hex. socket bolt M5 X15 (With plain	H X 2	
29		Hex. socket bolt M5 X 10 (With plain washer,	H X 4	
30		Hex. socket bolt M4 X 6 (With plain washer)		
31		Screw (SM9/64 40 X10)		
32		Hex. socket bolt M4 X 15 (With plain washer,		
33		Hex. socket bolt (With plain washer, Spring		
34	HB790030	Tension base caution label	H X 2	

Barudan

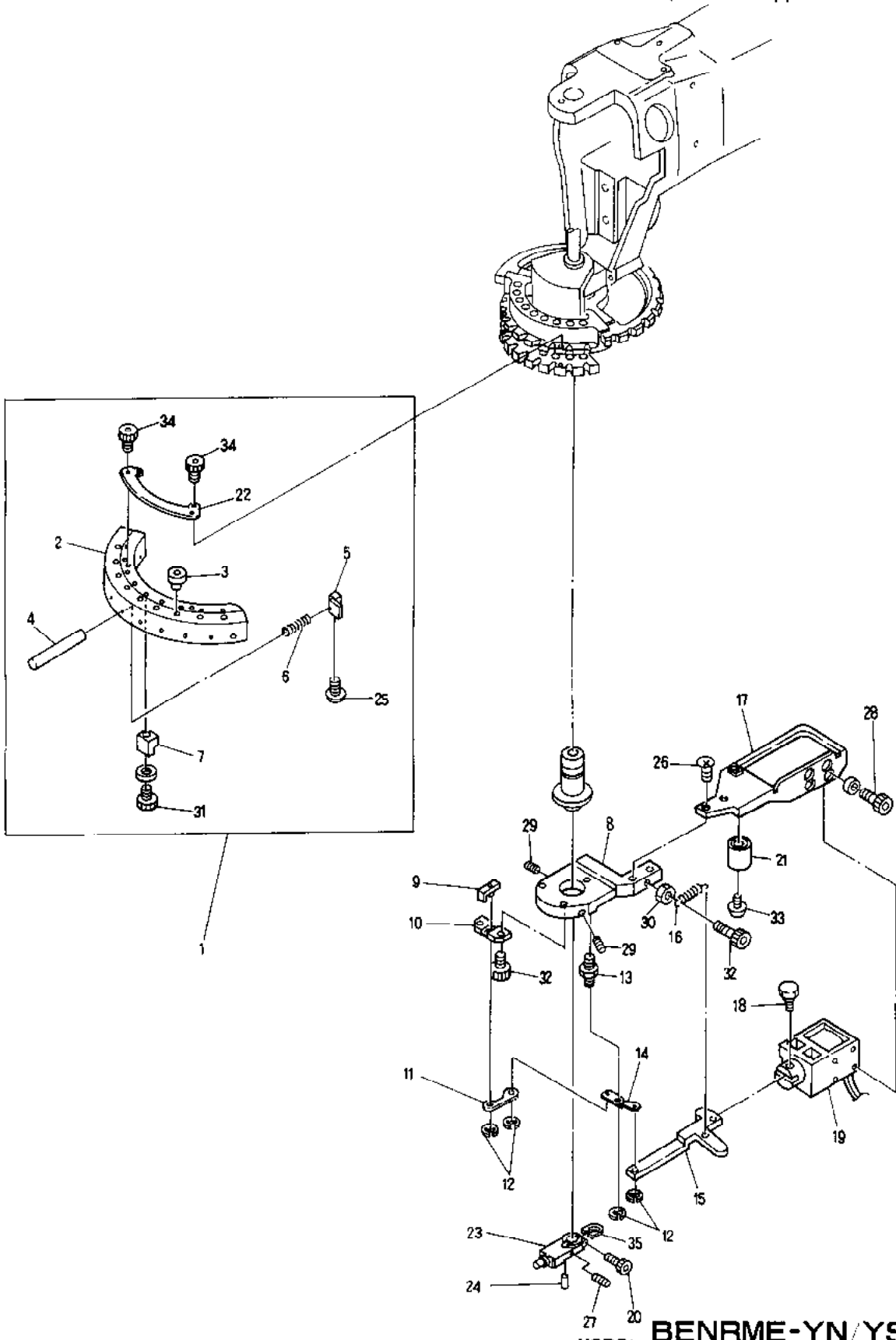
⑫ Automatic thread cutting mechanism II
(Thread away section)



MODEL BENRME-YN/YS
BENSME-YN/YS

Barudan

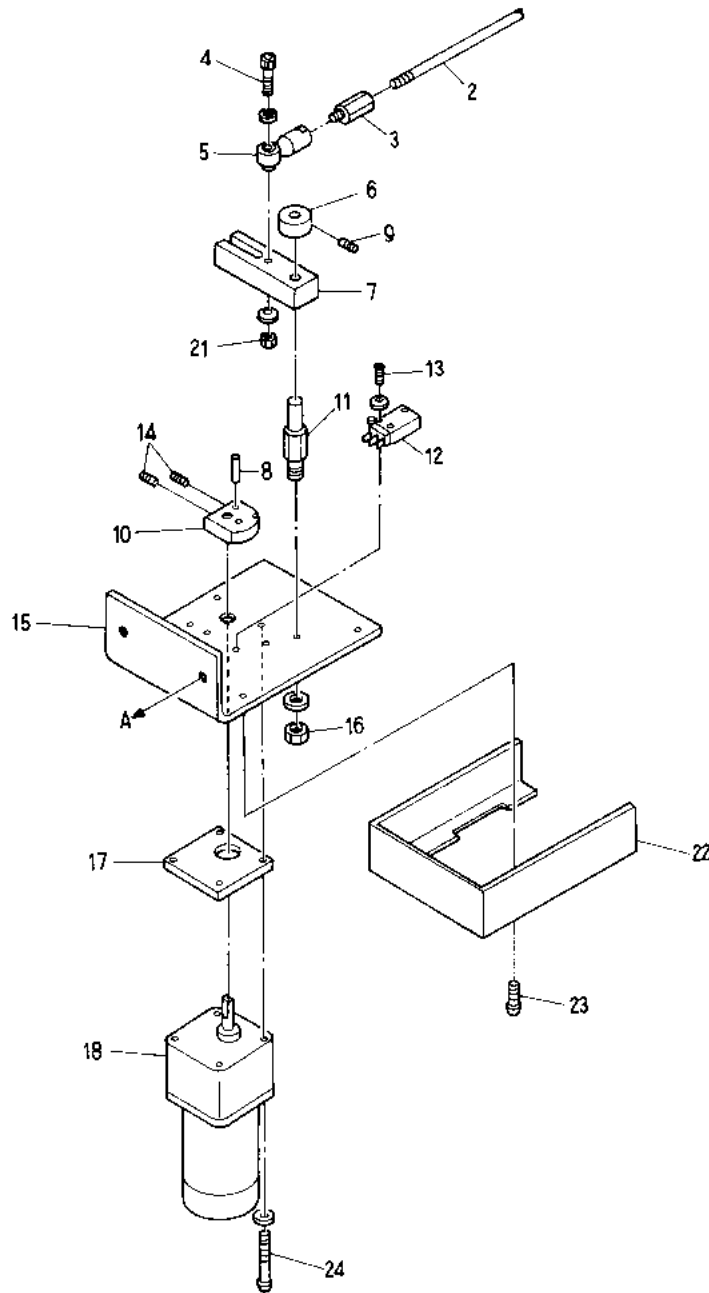
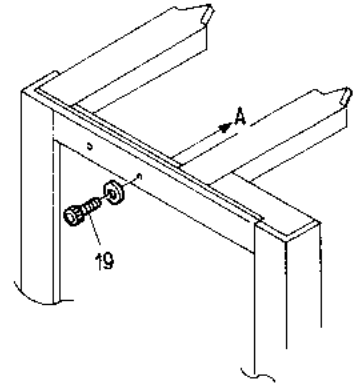
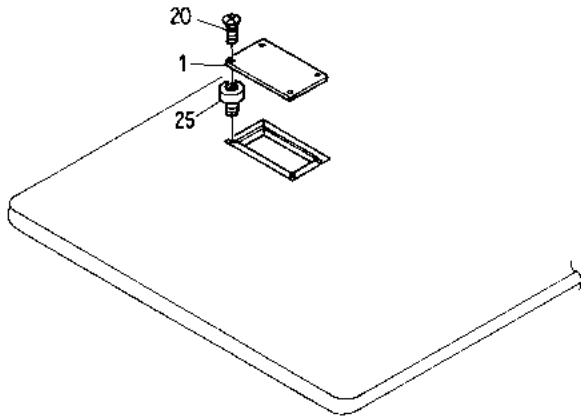
⑬ Automatic thread cutting mechanism III
(Thread support section)



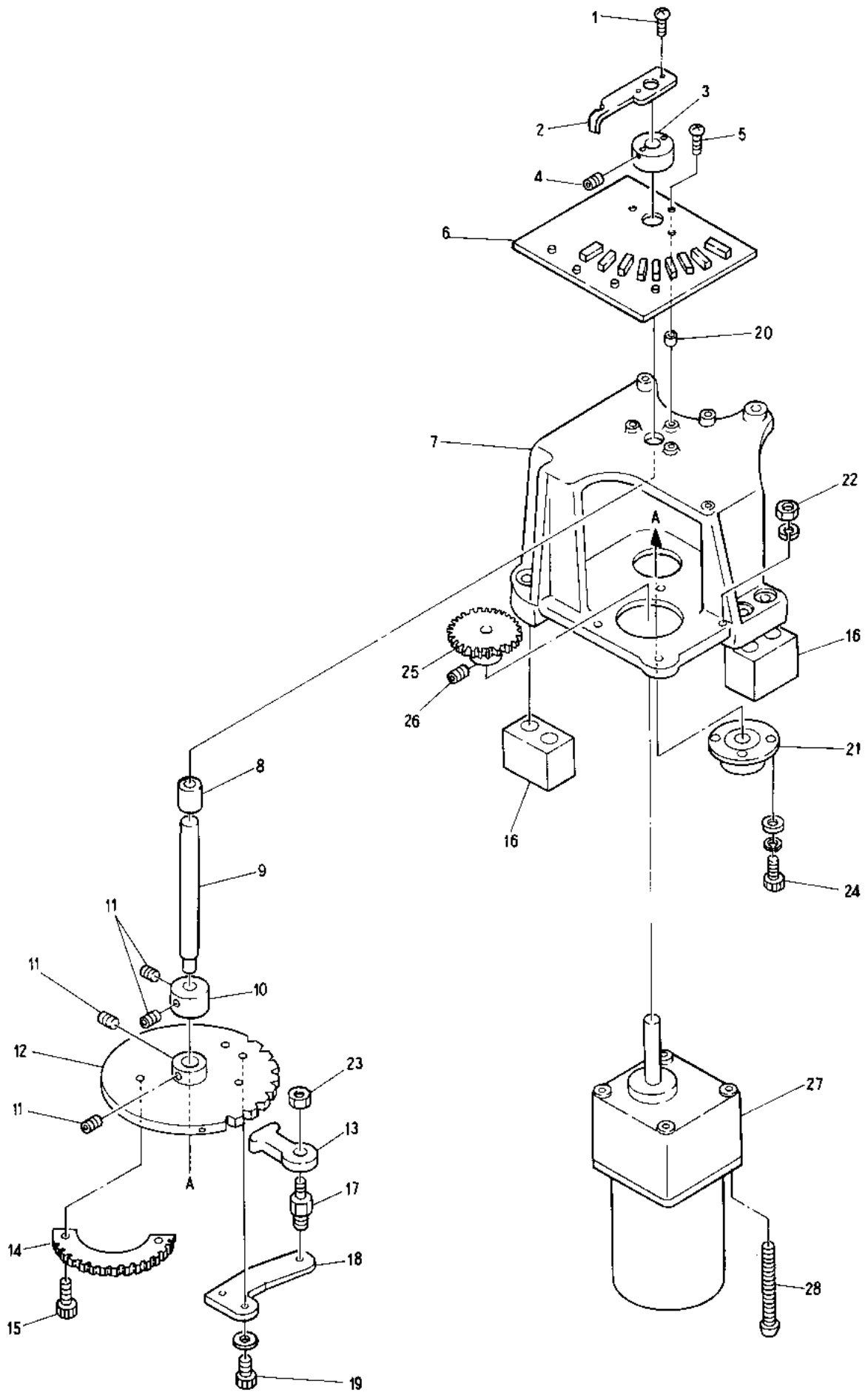
MODEL BENRME-YN/YS
BENSME-YN/YS

Barudan

⑭ Automatic thread cutting mechanism IV
(Drive mechanism)



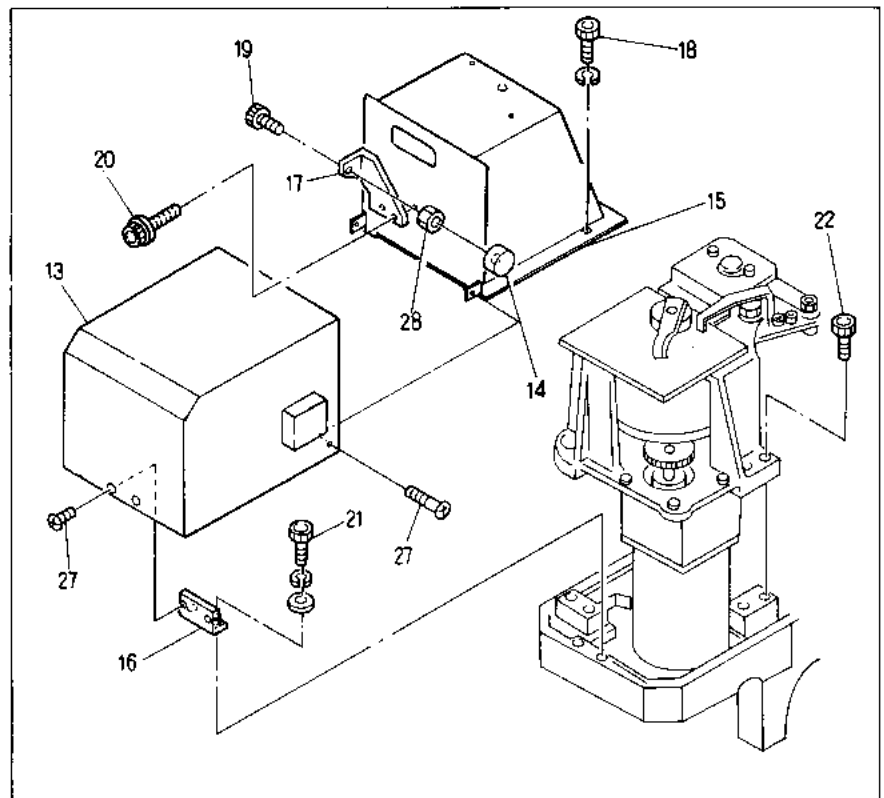
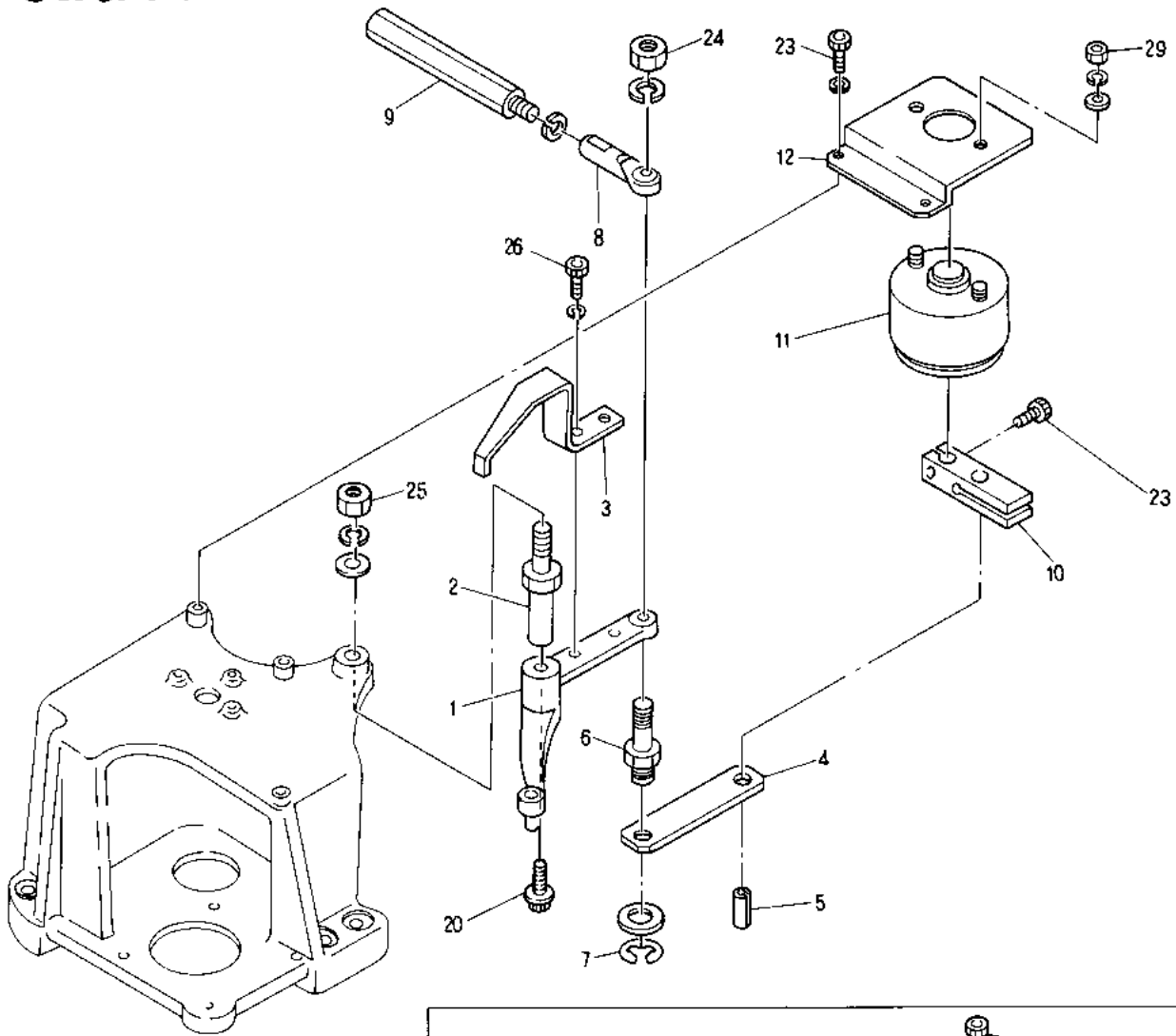
MODEL BENRME-YN/YS
BENSME-YN/YS



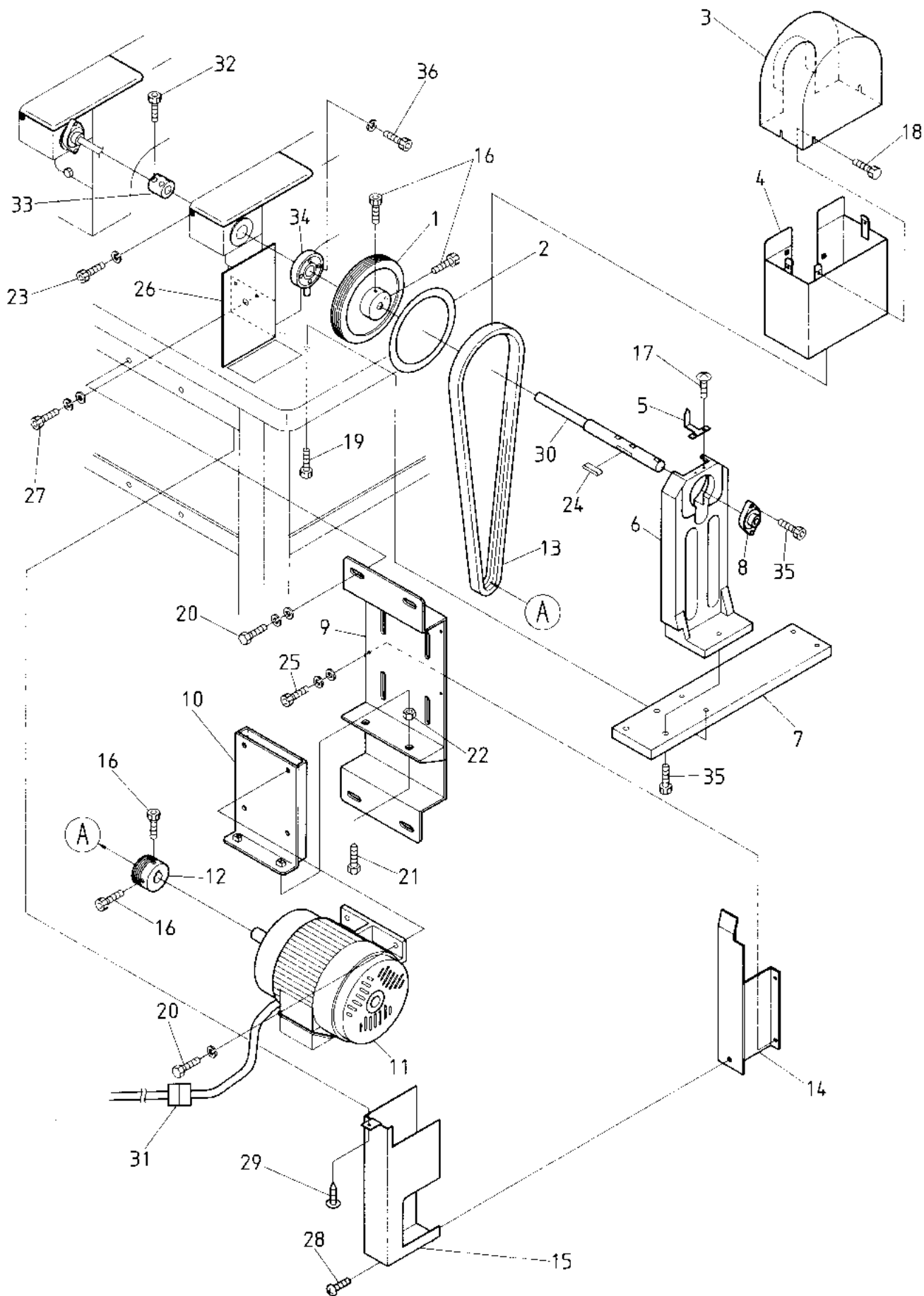
MODEL **BENRME-YN/YS**
BENSME-YN/YS

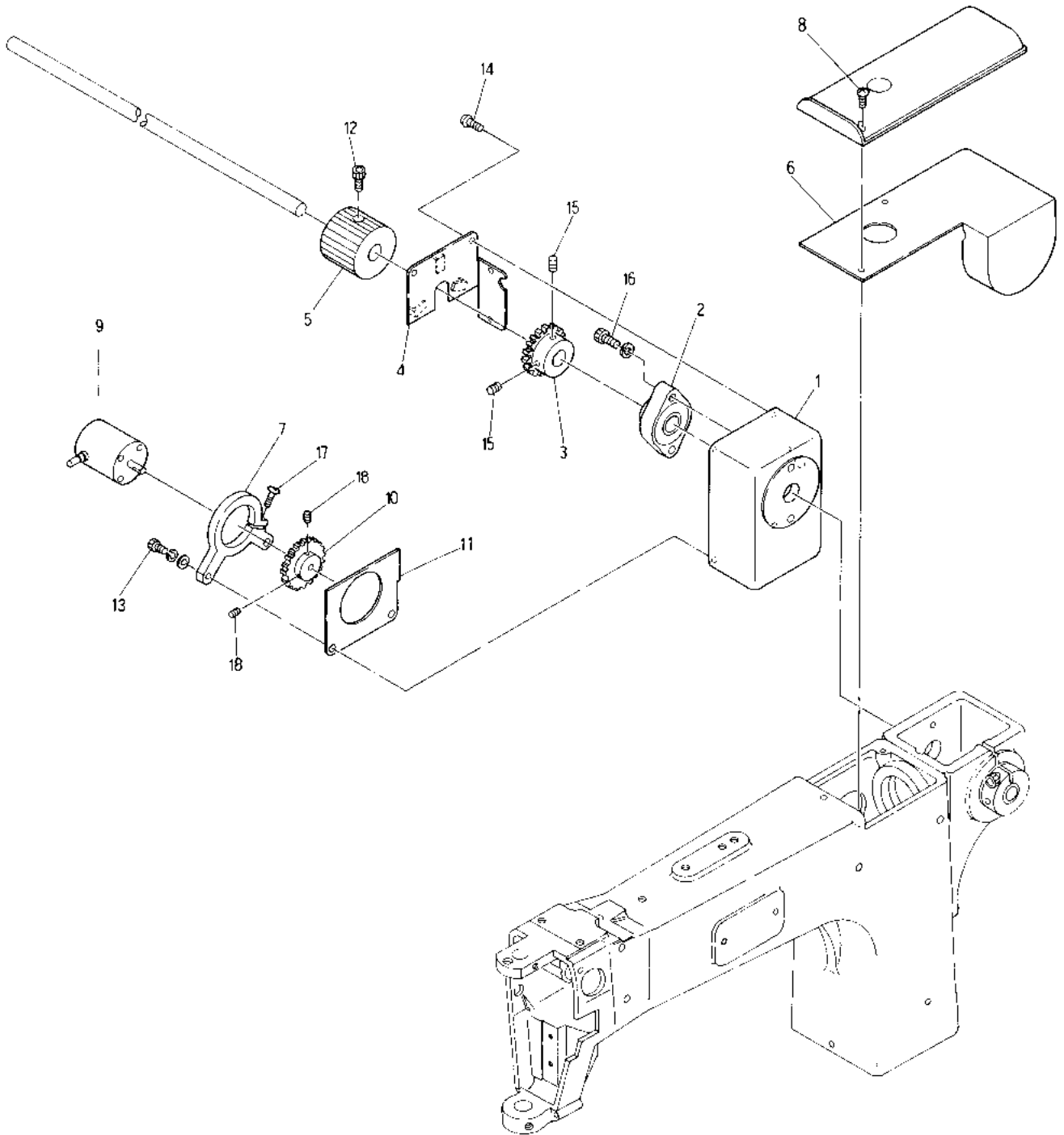
Barudan

⑯ Color change mechanism II



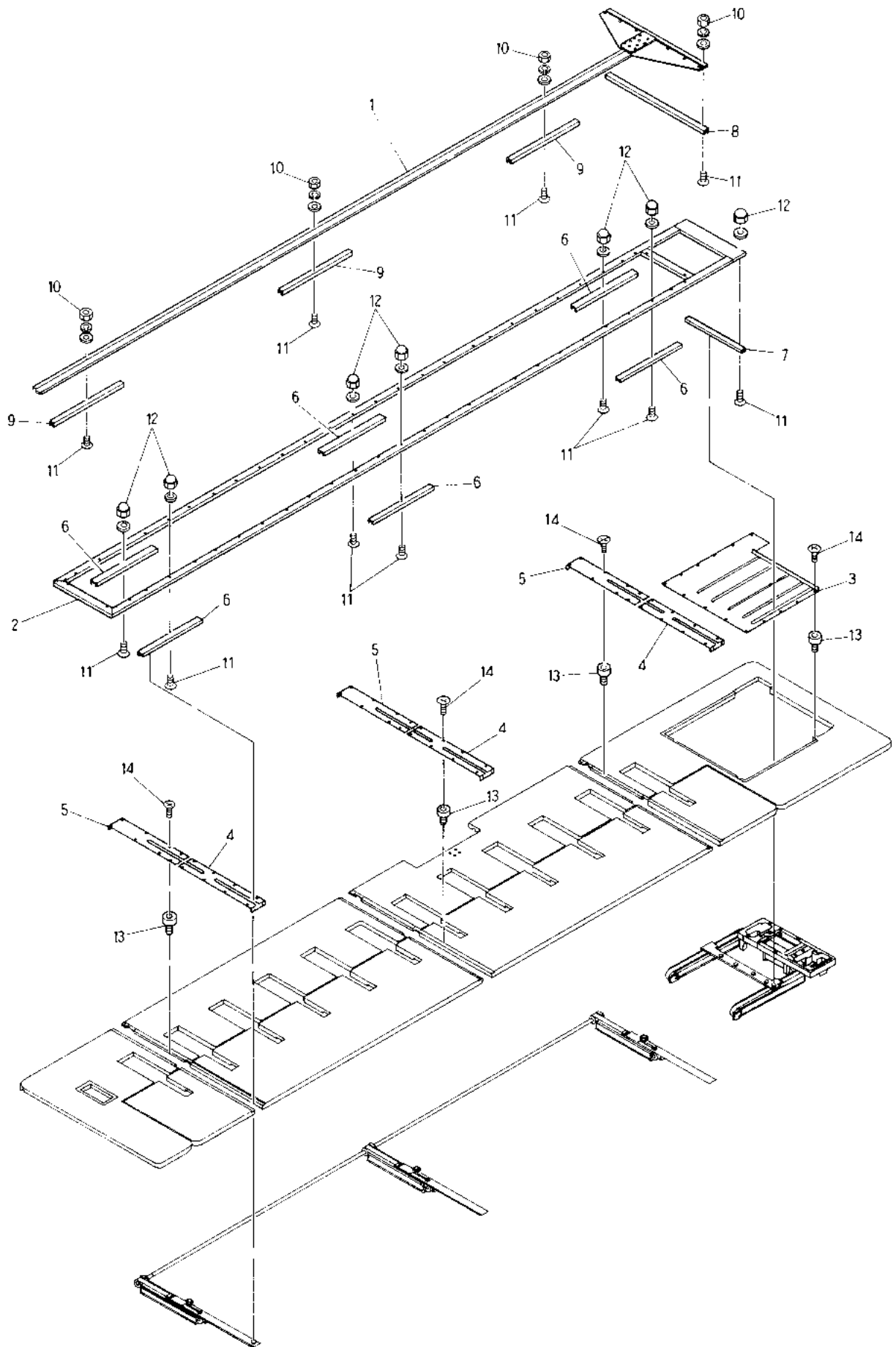
MODEL BENSME-YN





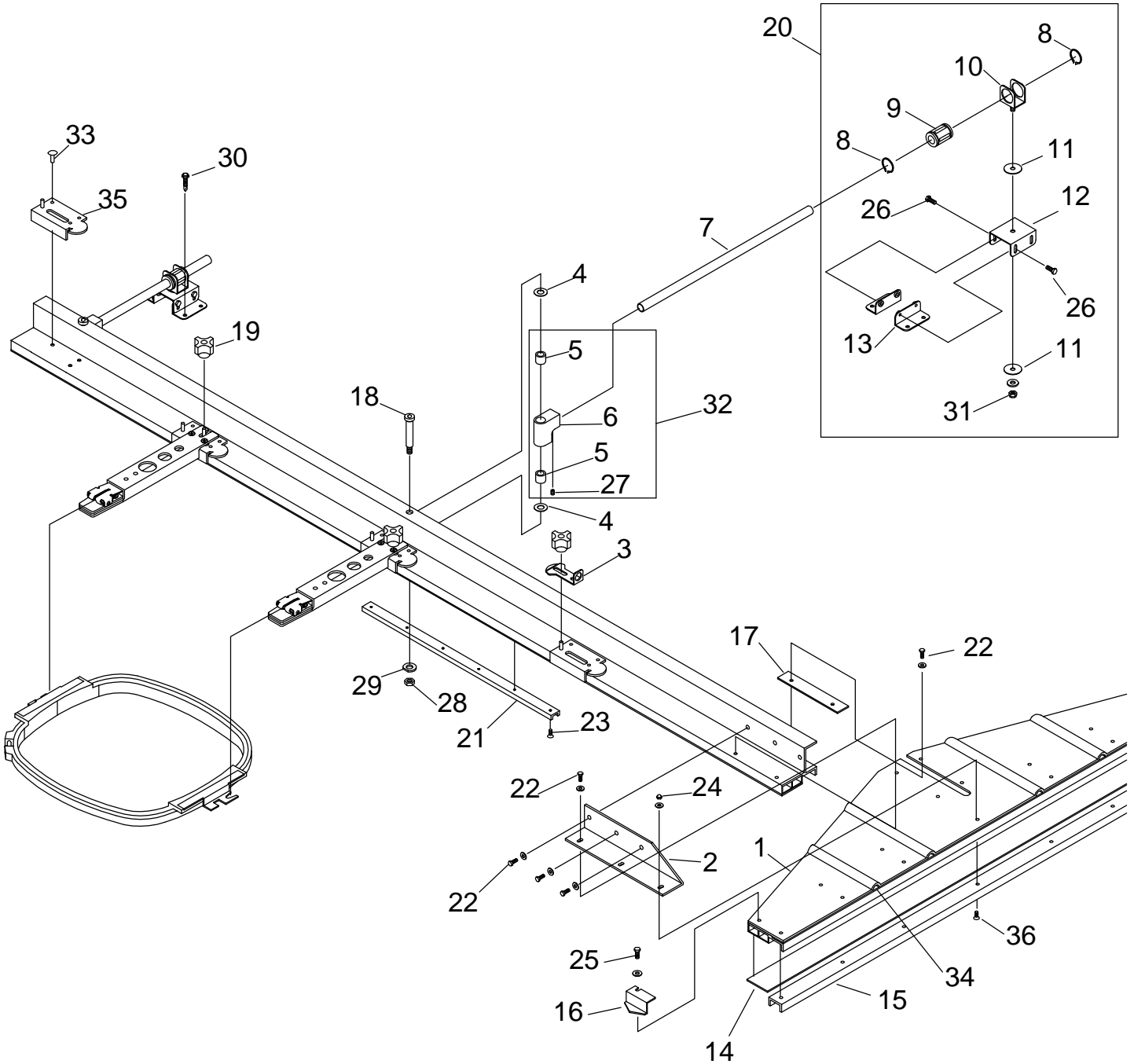
MODEL **BENRME-YN/YS**
BENSME-YN/YS

①9 Pantograph drive mechanism I
(Pantograph cover)



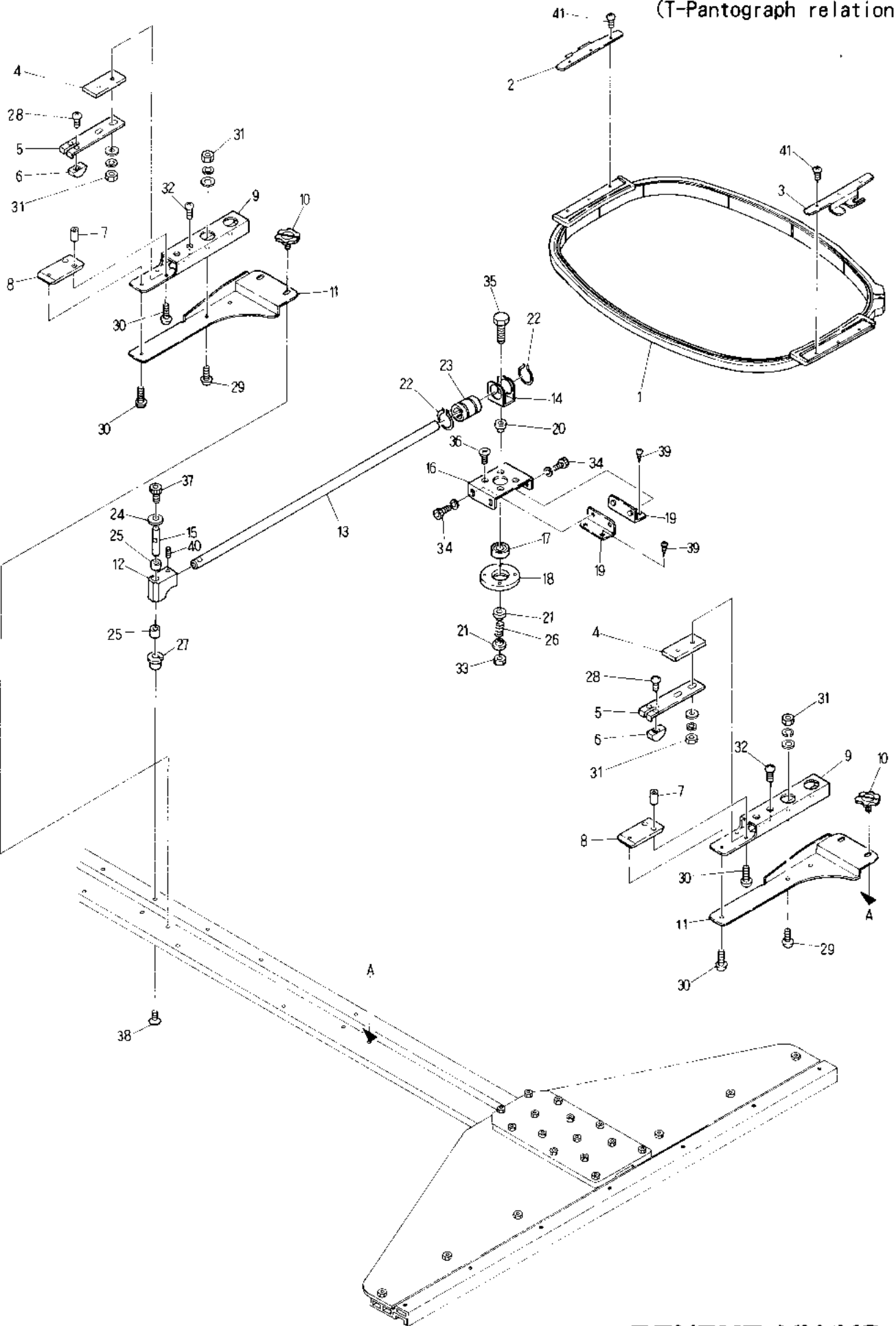
MODEL **BENRME-YN/YS**
BENSME-YN/YS

19A PANTOGRAPH DRIVE (U.S. MACHINE)



BENSME
BENRME

20 Pantograph drive mechanism II
(T-Pantograph relation)

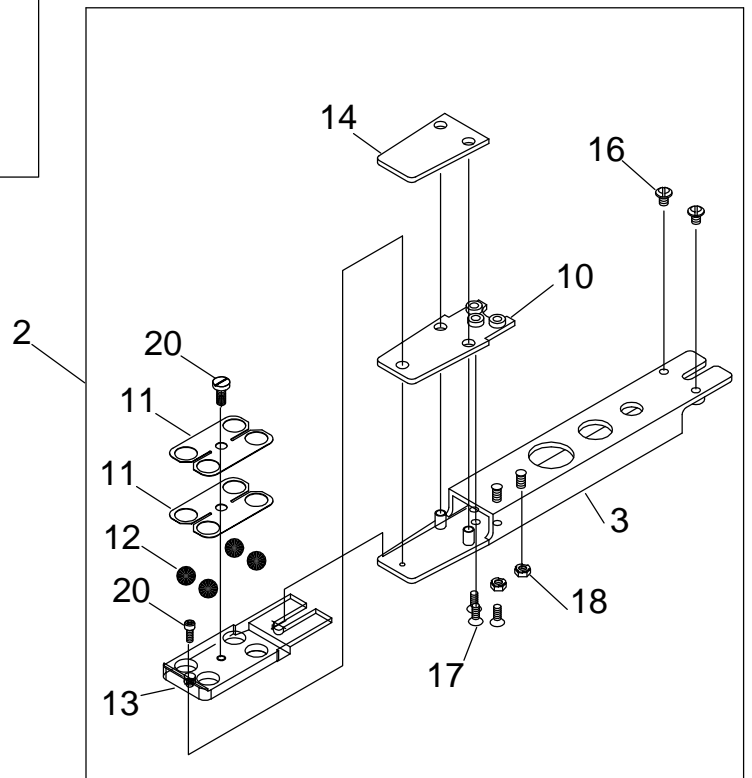
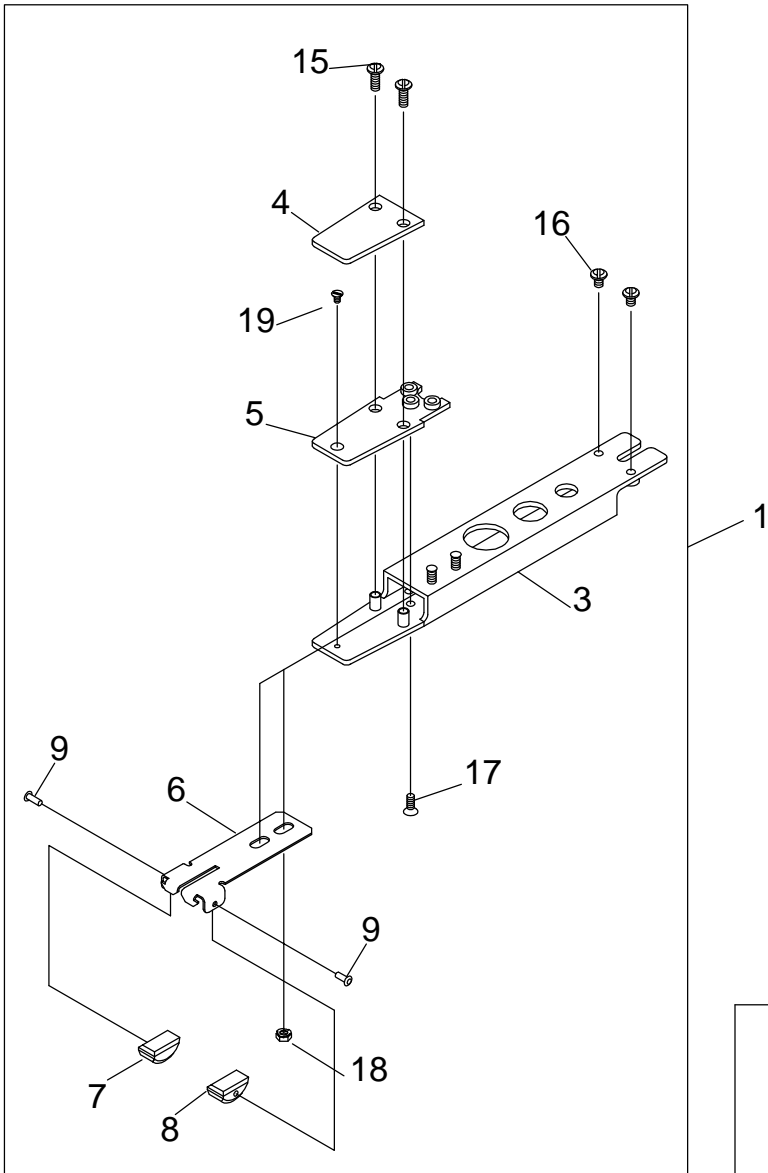


MODEL BENRME-YN/YS
BENSME-YN/YS

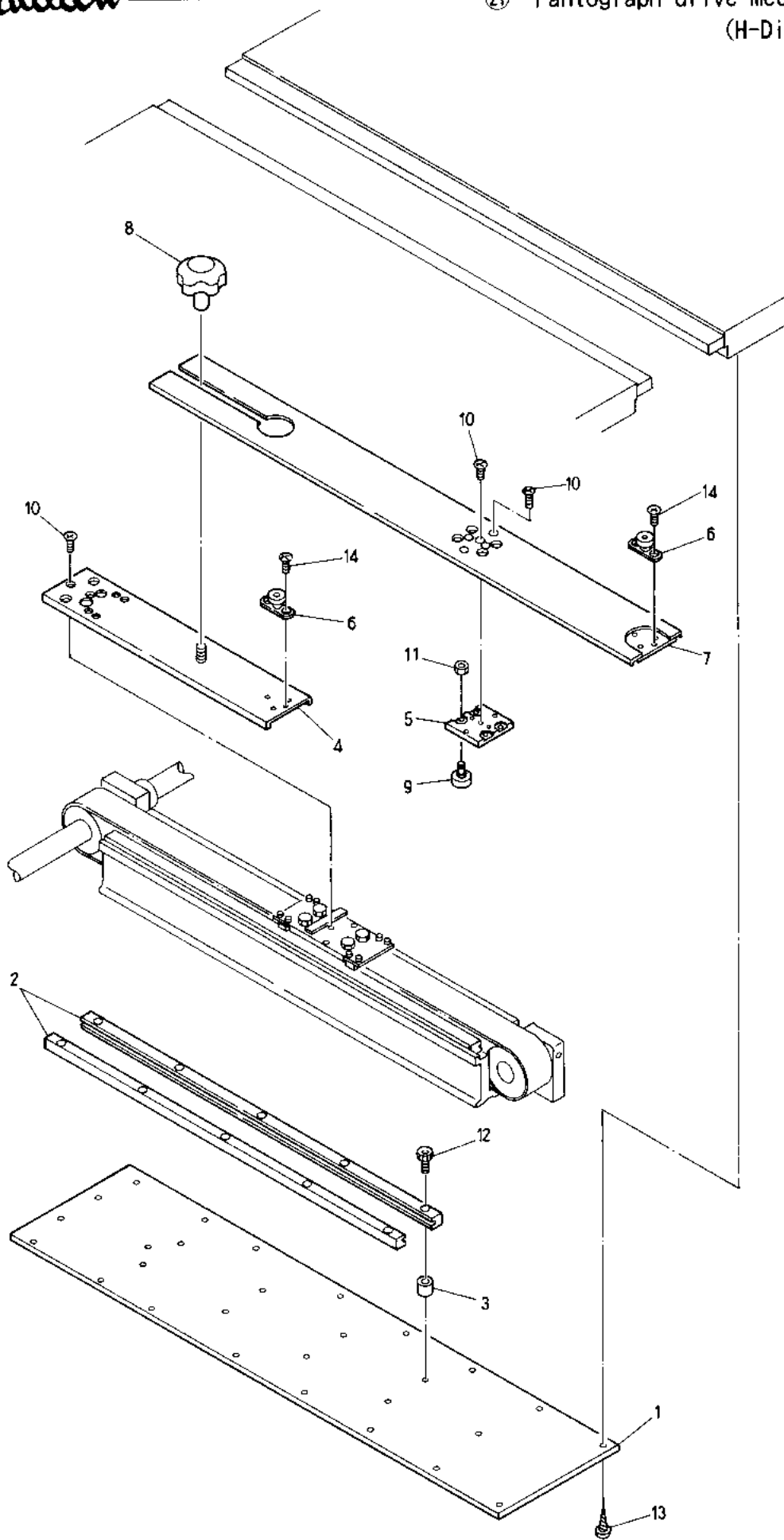
20 Pantograph drive mechanism II (T-Pantograph relation) (JAPAN MACHINE)

ITEM	LIST No	DESCRIPTION	Q'TY	REMARK
1	FR92300290A	Square pantograph 320x290	12	15
2	FR600528	Metal for allot wood frame (No. 1) R	12	15
3	FR600529	Metal for allot wood frame (Nal) L	12	15
4	HS460200	Fixing spacer	13	15-16
5	HS460030	Frame fixing spring No. 2	13	15
6	HS460050	Frame fixing block	26	15
7	HS460210	Frame fixing the position pin	26	15
8	KK460130	Frame slide plate	13	15
9	KK460050	Fixing base	13	15
10	HS730000	Knurling screw for pantograph	26	15
11	KK460061	Fixing stay	13	15
12	KK460070	Rotation block	6	
13	KK460090	Pantograph set driving shaft	6	
14	KK460040	Bush fixing bracket	6	
15	KK460080	Rotation shaft B	6	
16	KK460010	Pantograph set base (Upper)	6	
17	A9010036	Bearing (6900ZZ)	6	
18	KK460031	Bearing set plate	6	
19	KK460000	Pantograph set base (Lower)	12	
20	KK460020	Rotation shaft A	6	
21	KK460120	Spring set plate	12	
22	A9012064	C-Ring (For shaft) 21	12	
23	A9011131	Slide bush SM12GUU	6	
24	A9012164	Thrust washer R-TW 0815	6	
25	A9011132	DU Bush MB0805	12	
26	KK460140	Pantograph set spring	6	
27	A9012264	D U Bush (MB0808-15FDU)	6	
28		Truss screw M3 x 3		
29		Truss screw M3 x7		
30		Truss screw M3 x 5		
31		Hex. nut M3		
32		Truss screw M3 x 10		
33		U-Nut M5		
34		Hex. socket bolt M5 x 10		
35		Hex. bolt M5 x 25		
36		Pan screw M4 x 10		
37		Hex. socket bolt M4 x 8		
38		Pan screw M4 x 12		
39		Bind tapping screw 4.5 x 24		
40		Hex. socket set screw M6 x 8		
41		Pan screw M3 x 6		

20A PANTOGRAPH HOOP SUPPORT ARM (U.S. MACHINE)

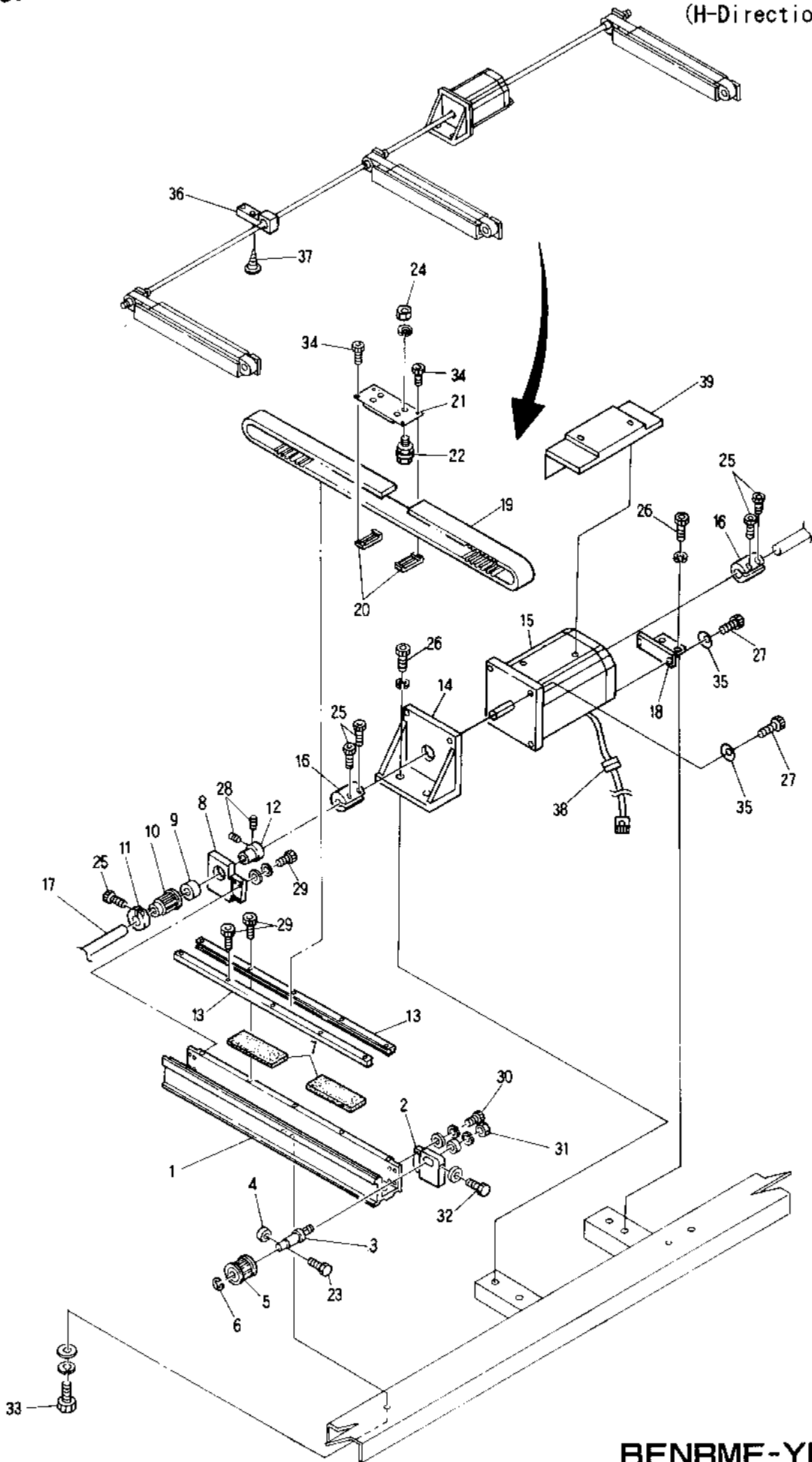


BENSME
BENRME

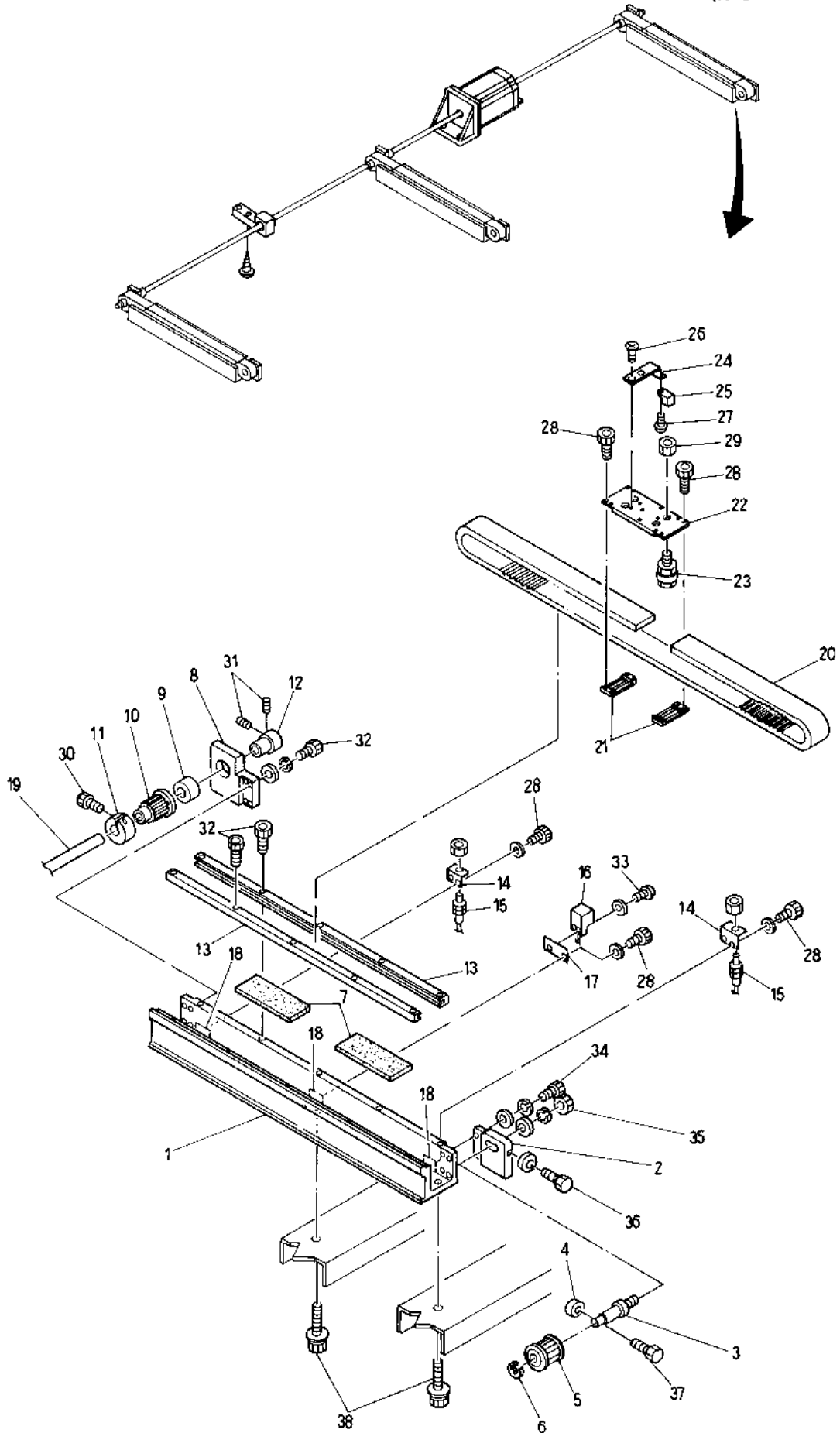


MODEL **BENRME-YN/YS**
BENSME-YN/YS

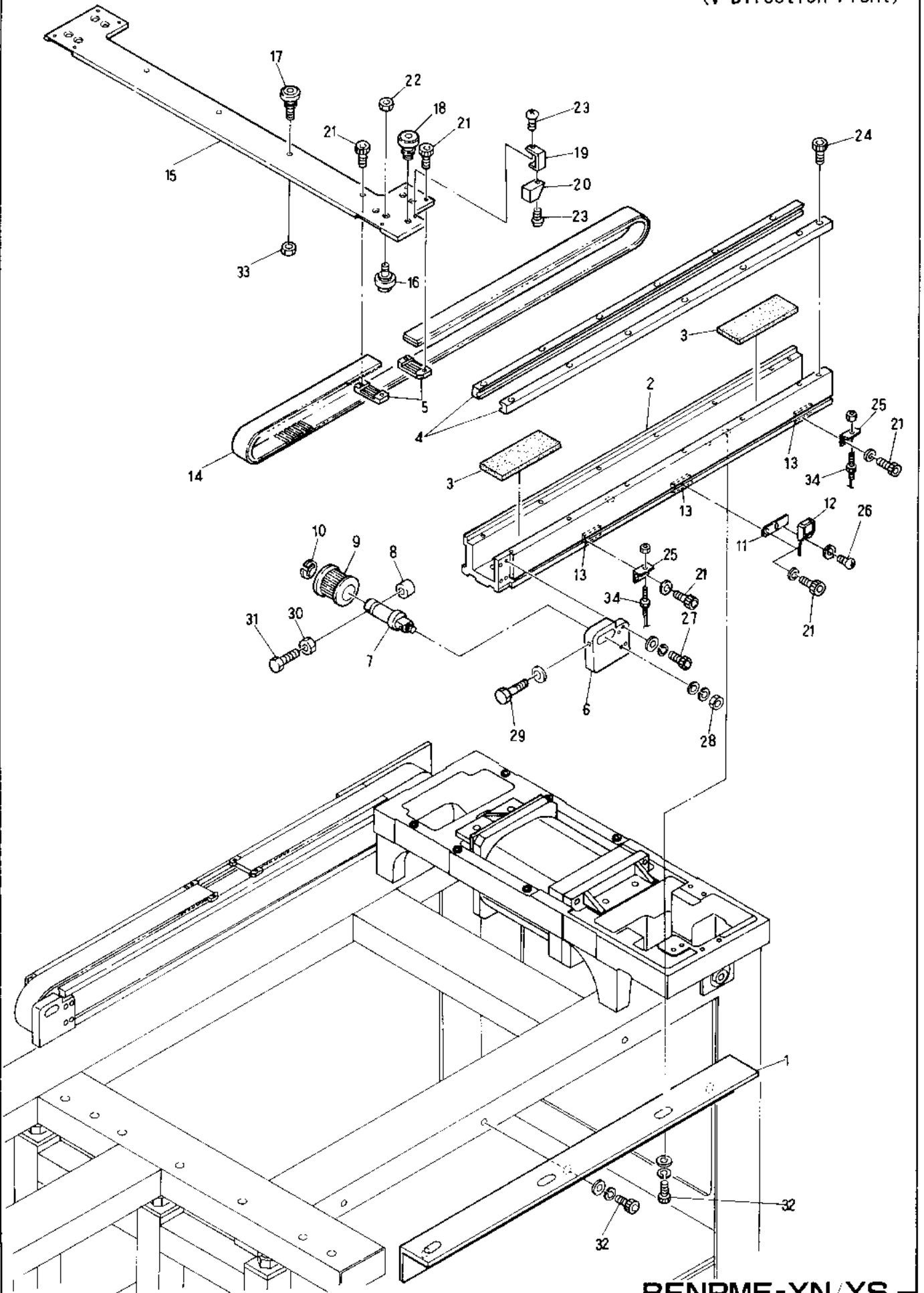
② Pantograph drive mechanism IV
(H-Direction-Rear I)



MODEL BENRME-YN/YS
BENSME-YN/YS



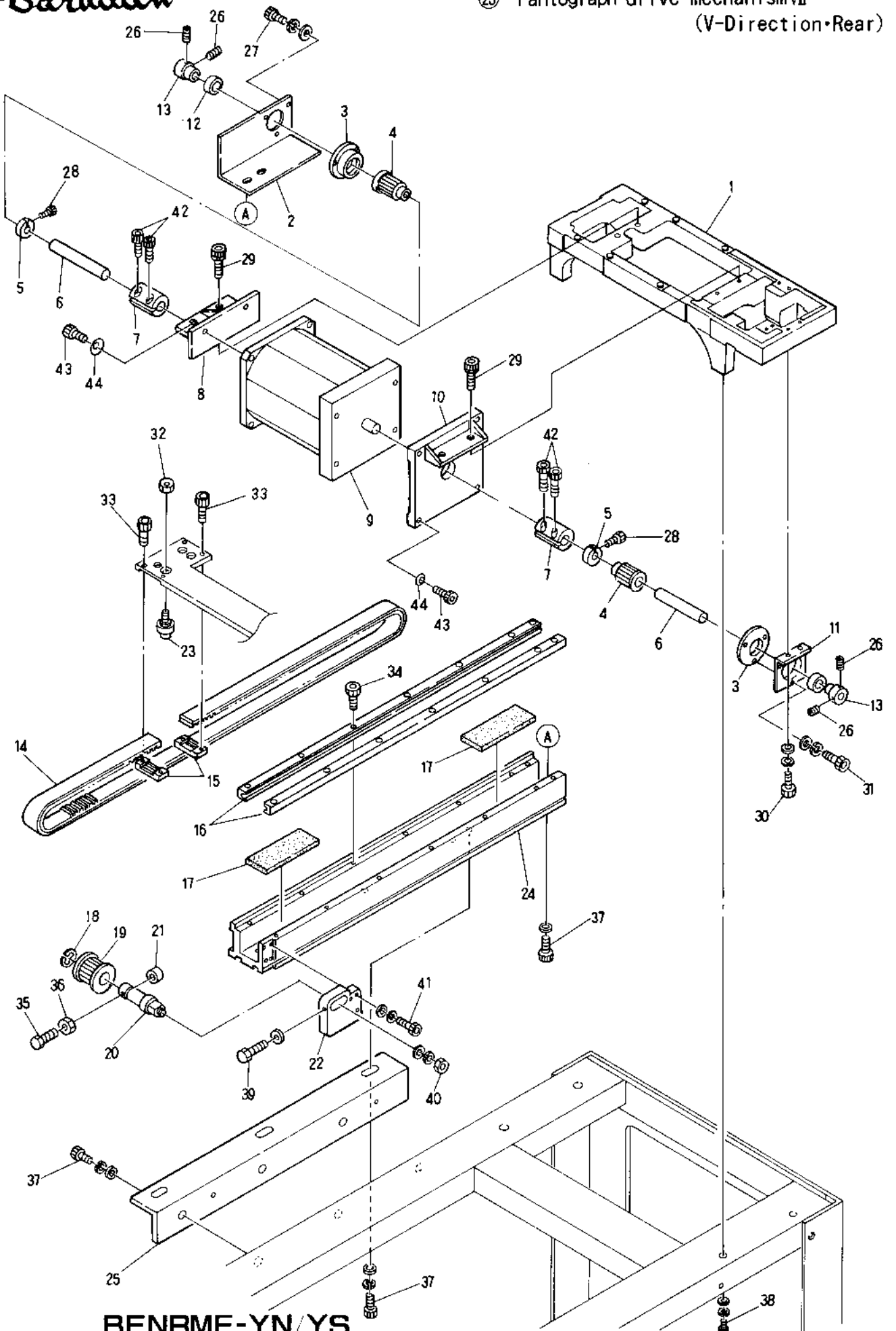
MODEL BENRME-YN/YS
BENSME-YN/YS



MODEL BENRME-YN/YS
BENSME-YN/YS

Barudan

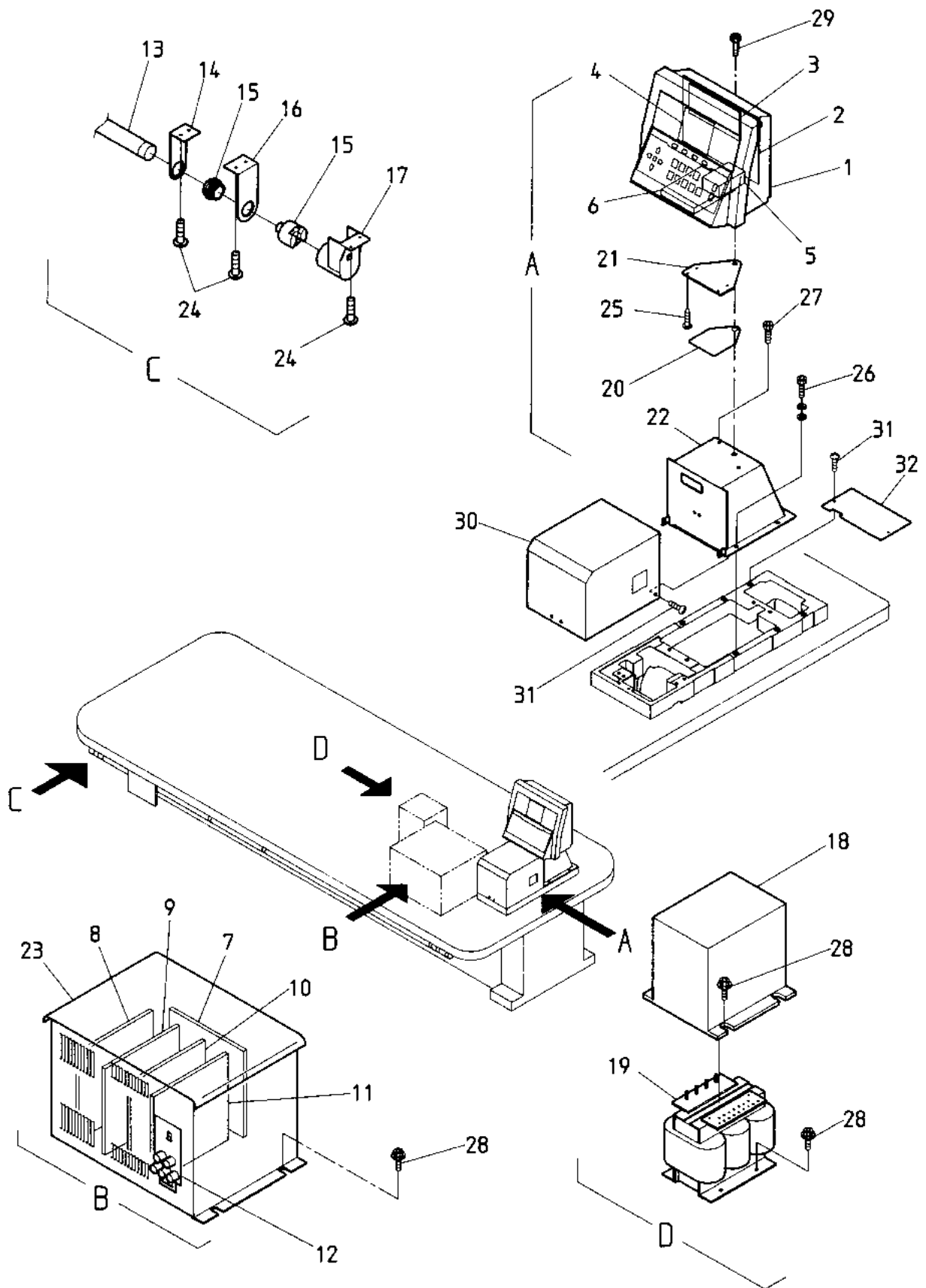
㊦ Pantograph drive mechanism VII
(V-Direction-Rear)



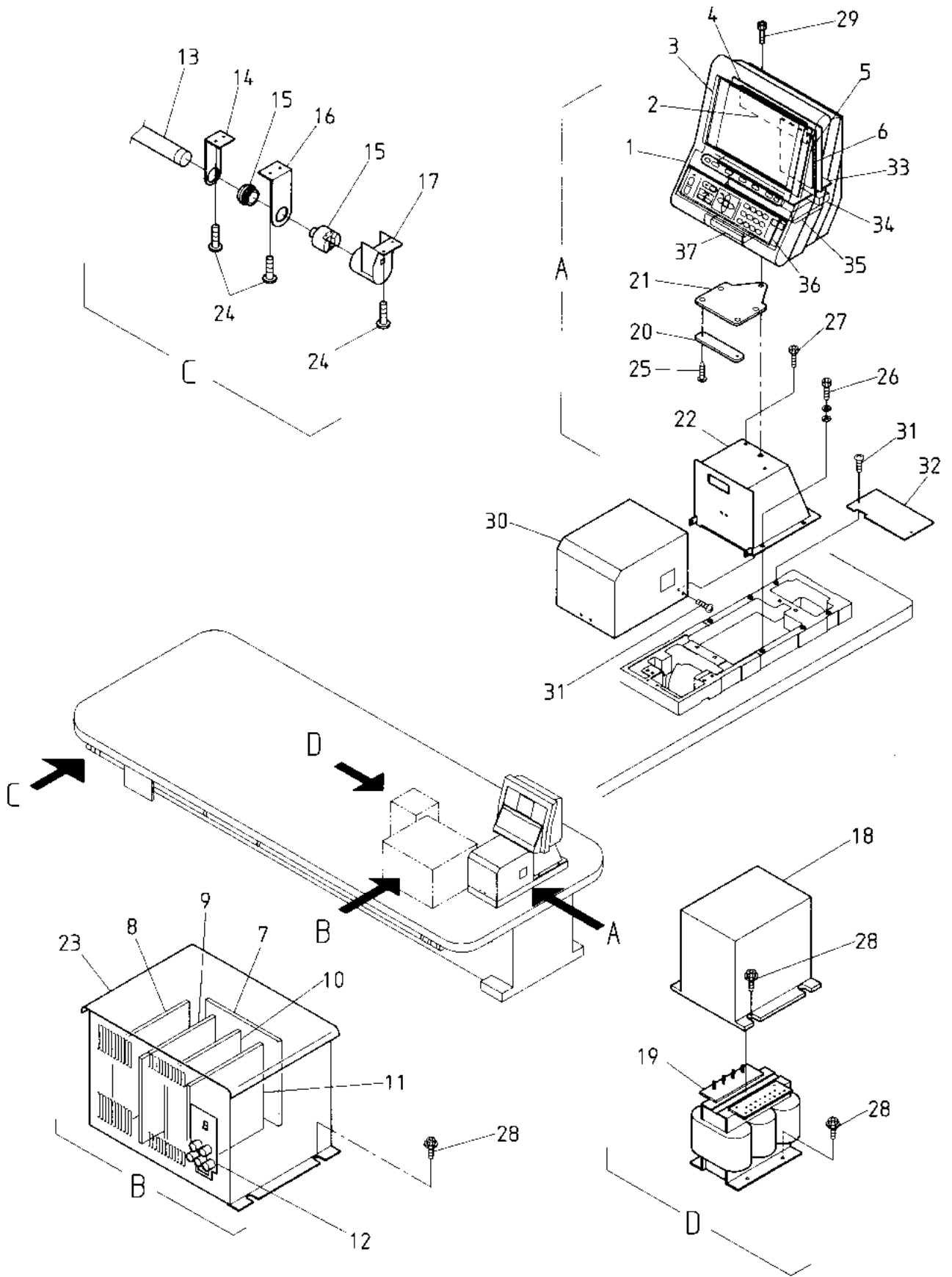
MODEL BENRME-YN/YS
BENSME-YN/YS

25 Pantograph drive mechanism VII (V-Direction Rear)

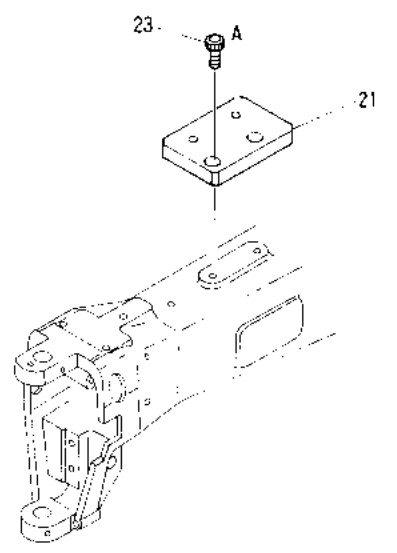
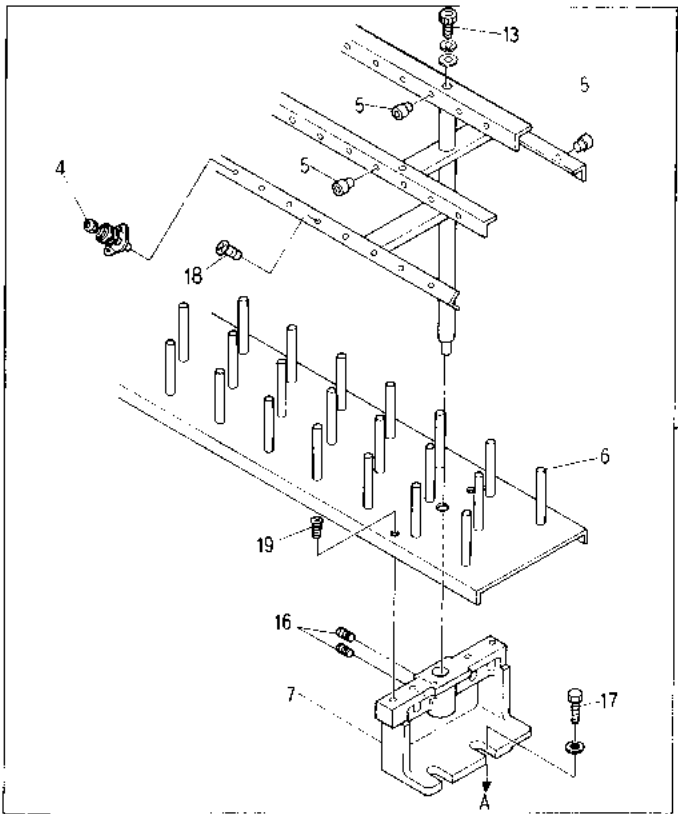
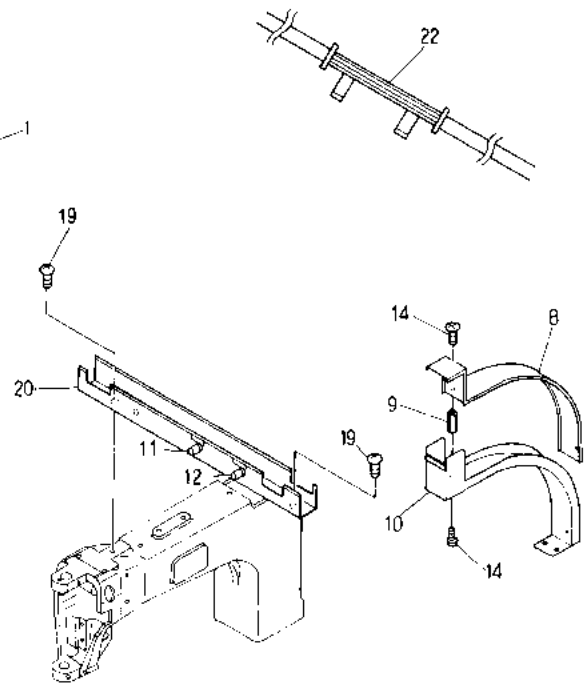
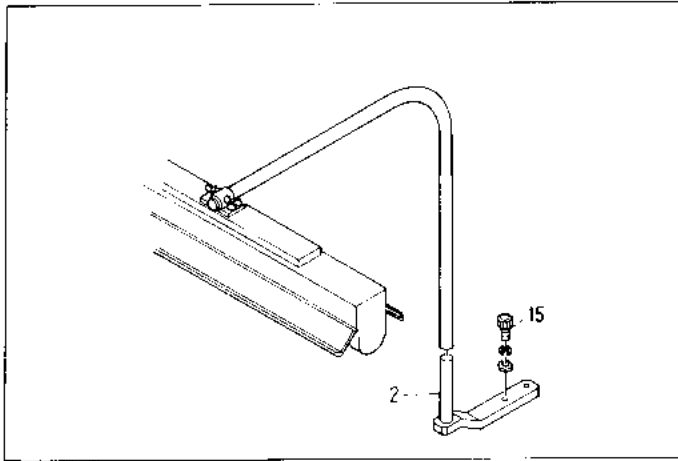
ITEM	LIST No	DESCRIPTION	Q'TY	REMARK
1	KV330030	Control unit base	1	
2	KS140040	Bearing bracket (Rear)	1	
3	KN490130	V -Timing belt shaft bearing housing	2	
4	HV480040	Pantograph driving pulley (Rear)	2	
5	HH481980	Clamping 0 1 9	2	
6	KV470030	V -Pulse motor connecting shaft	1	
7	HH481931	Pulse motor coupling	2	
8	KV470020	V -Pulse motor bracket B	1	
9	HV480060	Pulse motor (5M)	1	
10	KV470010	V-Pulse motor bracket A	1	
11	KN490121	Bearing bracket	1	
12	A9011110	Needle bearing HK2016	2	
13	HH481970	Pulse motor connecting shaft collar	2	
14	A9020170	Timing belt	1	
15	HP482940	Timing belt set rack (5M)	2	
16	KN483450	V -Guide rail (L=660)	2	
17	KN480061	Rail base felt (100 x 38 x 6)	2	
18	A9012052	E-Ring (10 dia)	1	
19	HV480050	Pantograph driving pulley (Front)	1	
20	HH481991	Timing pulley shaft	1	
21	HH482110	pulley shaft bolt cap	1	
22	KR480060	H - V -Guide front pulley bracket	1	
23	HP482950	Roller pin a'ssy A	4	
24	KV480170	V -Guide rail base (Stroke 480)	1	
25	KK480020	V -Guide rail base (Rear)	1	
26		Hex, socket set screw M5x8		
27		Hex, socket bolt M4 x 10		
28		Hex, socket bolt M5 x 18		
29		Hex, socket bolt M6 x 25		
30		Hex, socket bolt M5 x 12		
31		Hex, socket bolt M4 X 10		
32		Hex, nut M5		
33		Hex, socket bolt M3 x 6		
34		Hex, socket bolt M4 x 15		
35		Hex, bolt M4 x 35		
36		Hex, nut M4		
37		Hex, socket bolt M8 x 20		
38		Hex, socket bolt M8 x 25		
39		Hex, bolt M4 x 25		
40		Hex, nut M8		
41		Hex, socket bolt M4 x 18		
42		Hex, socket bolt M5 x 18		
43		Hex, socket bolt M6 x 22		
44		Disc spring 6 for hex,socket bolt		



MODEL BENRME-YN/YS
BENSME-YN/YS

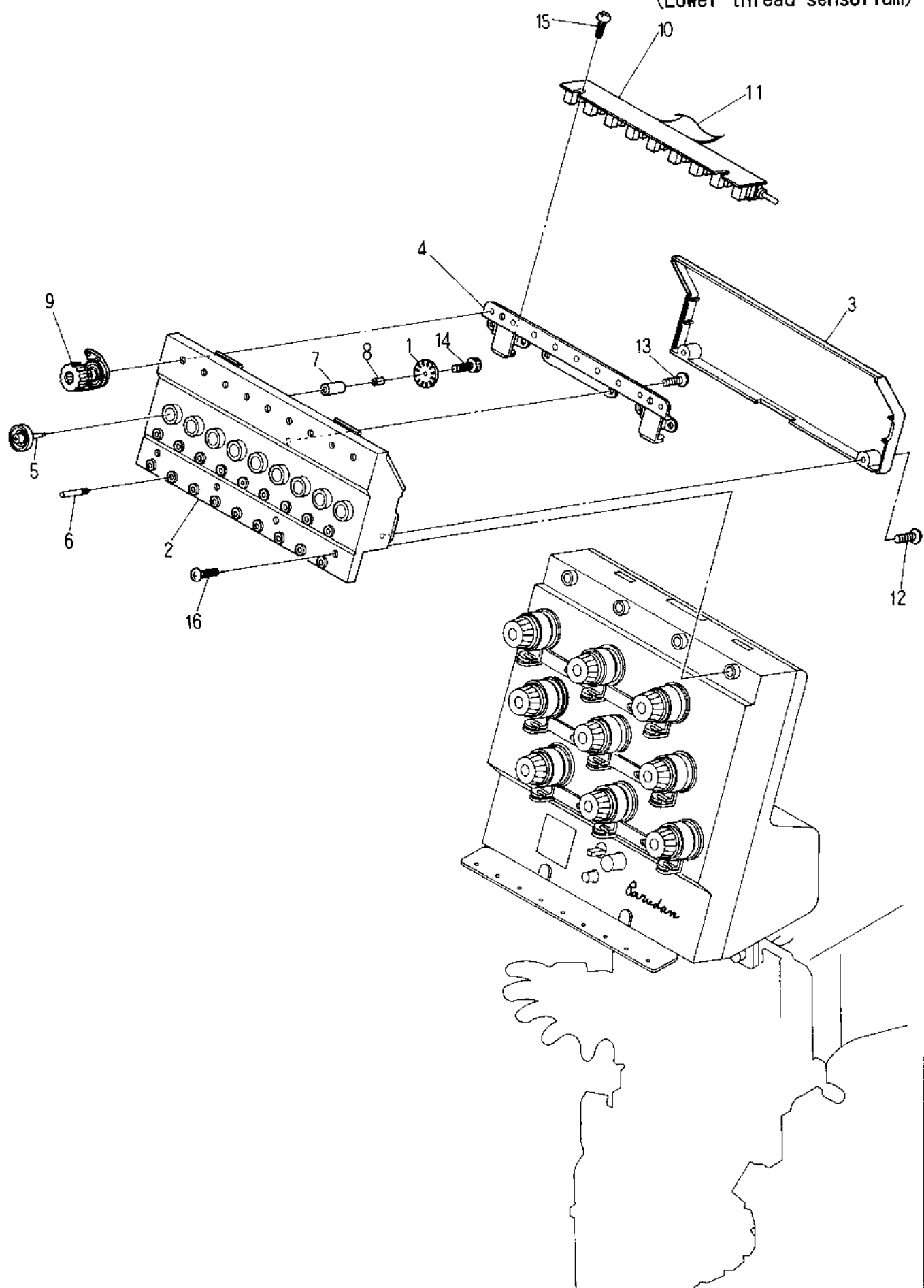


MODEL **BENRME-YN/YS**
BENSME-YN/YS



Barudan

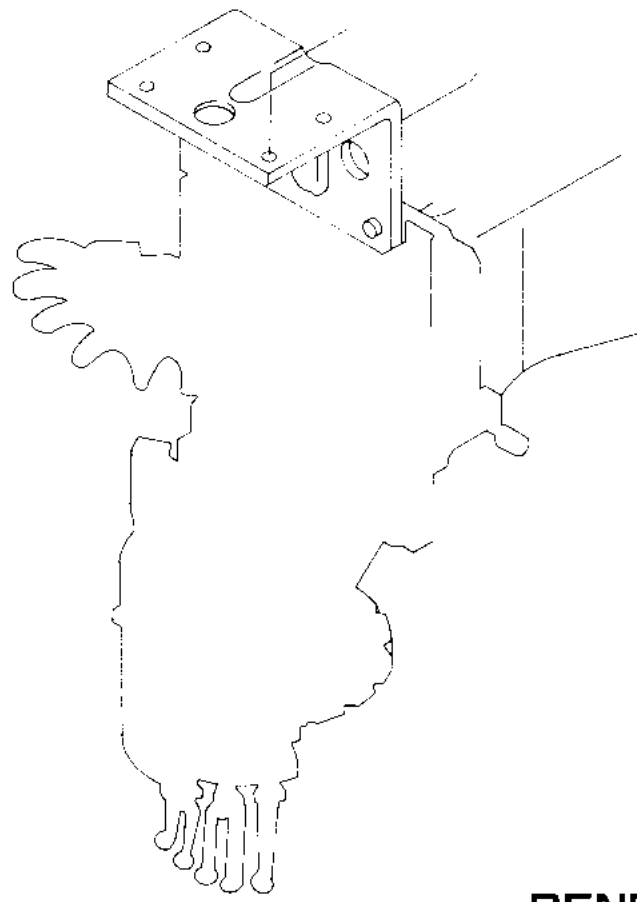
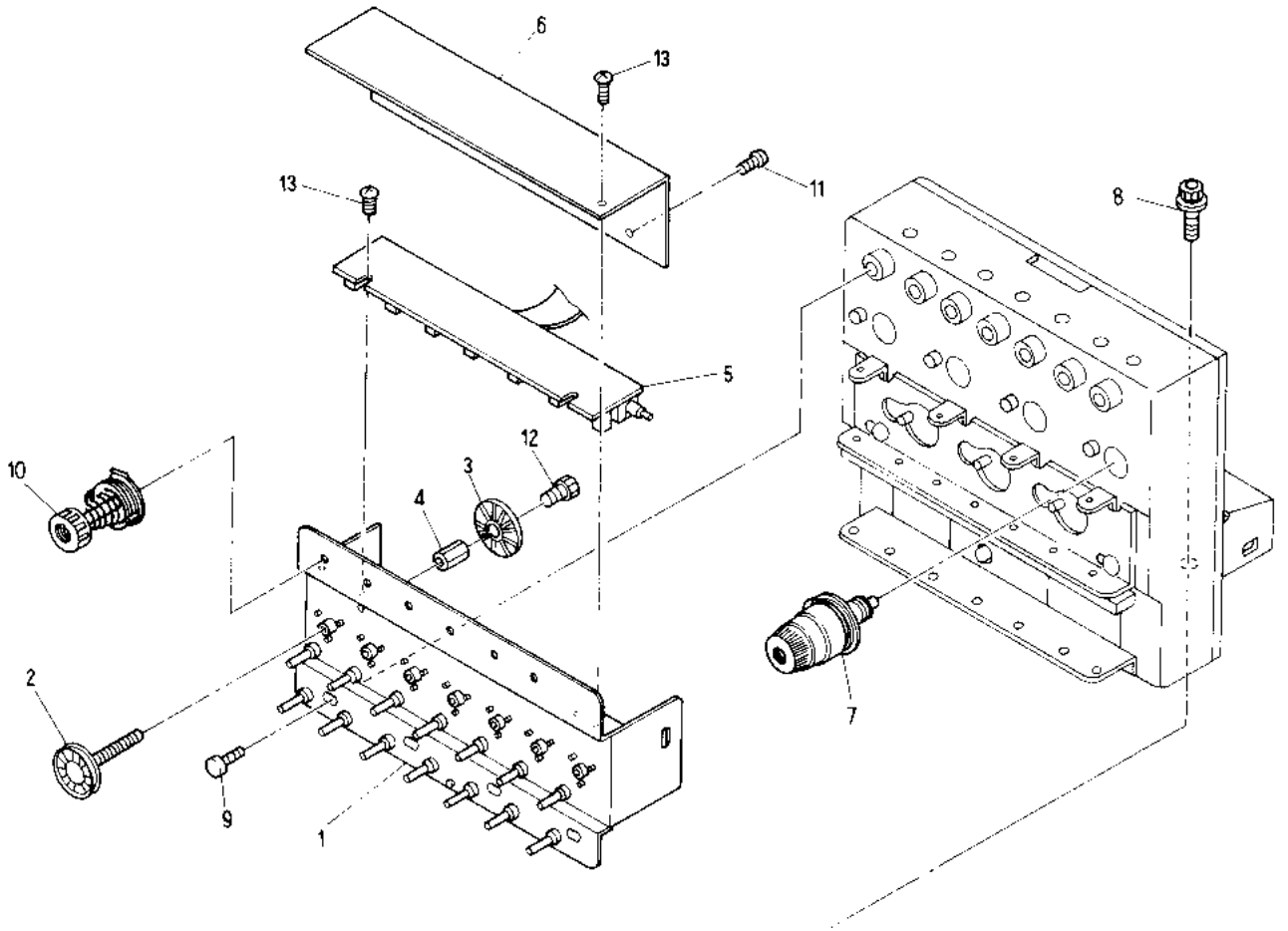
⑳ Thread guide mechanism
(Lower thread sensorium)



MODEL BENRME-YN/YS
BENSME-YN/YS

Barudan

②⑧ Thread guide mechanism
(Lower thread sensorium) (YS use)



MODEL **BENRME-YN/YS**
BENSME-YN/YS

